

Technical information flange dimensions

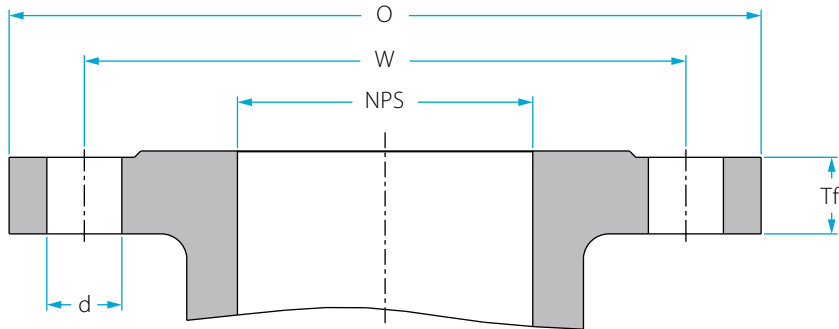


Flange dimensions

ANSI B16.5

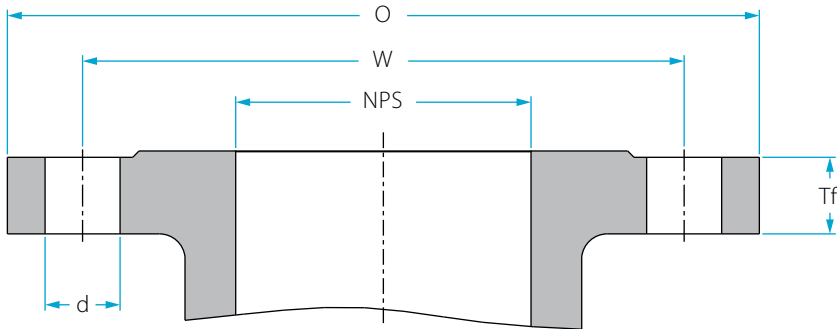
DIN EN1092

ANSI B16.5 | Class 150



NPS Nominal Pipe Size	O		W		Tf		d		Number holes
	mm	inch	mm	inch	mm	inch	mm	inch	
1/2"	90.00	3.54	60.30	2.37	9.60	0.38	15.88	5/8	4
3/4"	100.00	3.94	69.90	2.75	11.20	0.44	15.88	5/8	4
1"	110.00	4.33	79.40	3.13	12.70	0.50	15.88	5/8	4
1 1/4"	115.00	4.53	88.90	3.50	14.30	0.56	15.88	5/8	4
1 1/2"	125.00	4.92	98.40	3.87	15.90	0.63	15.88	5/8	4
2"	150.00	5.91	120.70	4.75	17.50	0.69	15.88	5/8	4
2 1/2"	180.00	7.09	139.70	5.50	20.70	0.81	19.05	3/4	4
3"	190.00	7.48	152.40	6.00	22.30	0.88	19.05	3/4	4
3 1/2"	215.00	8.46	177.80	7.00	22.30	0.88	19.05	3/4	8
4"	230.00	9.06	190.50	7.50	22.30	0.88	19.05	3/4	8
5"	255.00	10.04	215.90	8.50	22.30	0.88	22.23	7/8	8
6"	280.00	11.02	241.30	9.50	23.90	0.94	22.23	7/8	8
8"	345.00	13.58	298.50	11.75	27.00	1.06	22.23	7/8	8
10"	405.00	15.94	362.00	14.25	28.60	1.13	25.40	1	12
12"	485.00	19.09	431.80	17.00	30.20	1.19	25.40	1	12
14"	535.00	21.06	476.30	18.75	33.40	1.31	28.58	1 1/8	12
16"	595.00	23.43	539.80	21.25	35.00	1.38	28.58	1 1/8	16
18"	635.00	25.00	577.90	22.75	38.10	1.50	31.75	1 1/4	16
20"	700.00	27.56	635.00	25.00	41.30	1.63	57.15	2 1/4	20
24"	815.00	32.09	749.30	29.50	46.10	1.81	82.55	3 1/4	20

ANSI B16.5 | Class 300



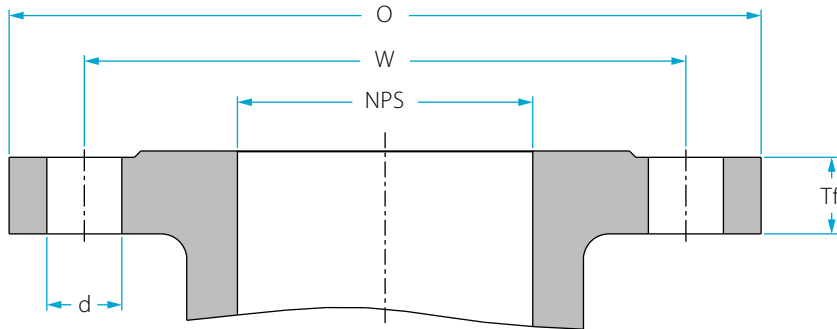
NPS Nominal Pipe Size	O		W		Tf		d		Number holes
	mm	inch	mm	inch	mm	inch	mm	inch	
1/2"	95.00	3.74	66.70	2.63	12.70	0.50	12.70	1/2	4
3/4"	115.00	4.53	82.60	3.25	14.30	0.56	15.88	5/8	4
1"	125.00	4.92	88.90	3.50	15.90	0.63	15.88	5/8	4
1 1/4"	135.00	5.31	98.40	3.87	17.50	0.69	15.88	5/8	4
1 1/2"	155.00	6.10	114.30	4.50	19.10	0.75	19.05	3/4	4
2"	165.00	6.50	127.00	5.00	20.70	0.81	15.88	5/8	8
2 1/2"	190.00	7.48	149.20	5.87	23.90	0.94	19.05	3/4	8
3"	210.00	8.27	168.30	6.63	27.00	1.06	19.05	3/4	8
3 1/2"	230.00	9.06	184.20	7.25	28.60	1.13	19.05	3/4	8
4"	255.00	10.04	200.00	7.87	30.20	1.19	19.05	3/4	8
5"	280.00	11.02	235.00	9.25	33.40	1.31	19.05	3/4	8
6"	320.00	12.60	269.90	10.63	35.00	1.38	19.05	3/4	12
8"	380.00	14.96	330.20	13.00	39.70	1.56	22.23	7/8	12
10"	445.00	17.52	387.40	15.25	46.10	1.81	25.40	1	16
12"	520.00	20.47	450.80	17.75	49.30	1.94	28.58	1 1/8	16
14"	585.00	23.03	514.40	20.25	52.40	2.06	28.58	1 1/8	20
16"	650.00	25.59	571.50	22.50	55.60	2.19	31.75	1 1/4	20
18"	710.00	27.95	628.60	24.75	58.80	2.31	31.75	1 1/4	24
20"	775.00	30.51	685.80	27.00	62.00	2.44	31.75	1 1/4	24
24"	915.00	36.02	812.80	32.00	68.30	2.69	38.10	1 1/2	24

Flange dimensions

ANSI B16.5

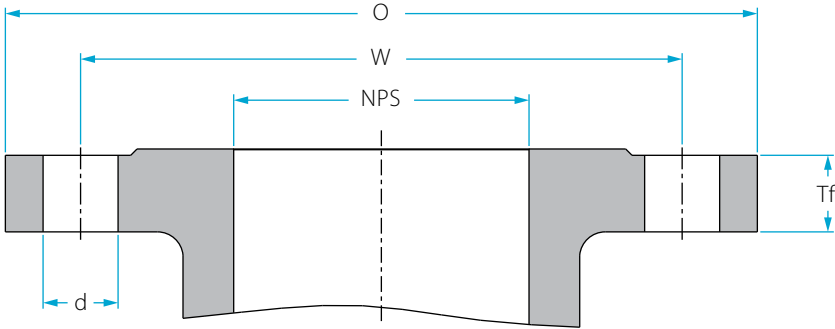
DIN EN1092

ANSI B16.5 | Class 400



NPS Nominal Pipe Size	O		W		Tf		d		Number holes
	mm	inch	mm	inch	mm	inch	mm	inch	
1/2"	95.00	3.74	66.70	2.63	14.30	0.56	15.88	5/8	4
3/4"	115.00	4.53	82.60	3.25	15.90	0.63	19.05	3/4	4
1"	125.00	4.92	88.90	3.50	17.50	0.69	19.05	3/4	4
1 1/4"	135.00	5.31	98.40	3.87	20.70	0.81	19.05	3/4	4
1 1/2"	155.00	6.10	114.30	4.50	22.30	0.88	22.23	7/8	4
2"	165.00	6.50	127.00	5.00	25.40	1.00	19.05	3/4	8
2 1/2"	190.00	7.48	149.20	5.87	28.60	1.13	22.23	7/8	8
3"	210.00	8.27	168.30	6.63	31.80	1.25	22.23	7/8	8
3 1/2"	230.00	9.06	184.20	7.25	35.00	1.38	25.40	1	8
4"	255.00	10.04	200.00	7.87	35.00	1.38	25.40	1	8
5"	280.00	11.02	235.00	9.25	38.10	1.50	25.40	1	8
6"	320.00	12.60	269.90	10.63	41.30	1.63	25.40	1	12
8"	380.00	14.96	330.00	12.99	47.70	1.88	28.58	1 1/8	12
10"	445.00	17.52	387.40	15.25	54.00	2.13	31.75	1 1/4	16
12"	520.00	20.47	450.80	17.75	57.20	2.25	34.93	1 3/8	16
14"	585.00	23.03	514.40	20.25	60.40	2.38	34.93	1 3/8	20
16"	650.00	25.59	571.50	22.50	63.50	2.50	38.10	1 1/2	20
18"	710.00	27.95	628.60	24.75	66.70	2.63	38.10	1 1/2	24
20"	775.00	30.51	685.80	27.00	69.90	2.75	41.28	1 5/8	24
24"	915.00	36.02	812.80	32.00	76.20	3.00	47.63	1 7/8	24

ANSI B16.5 | Class 600



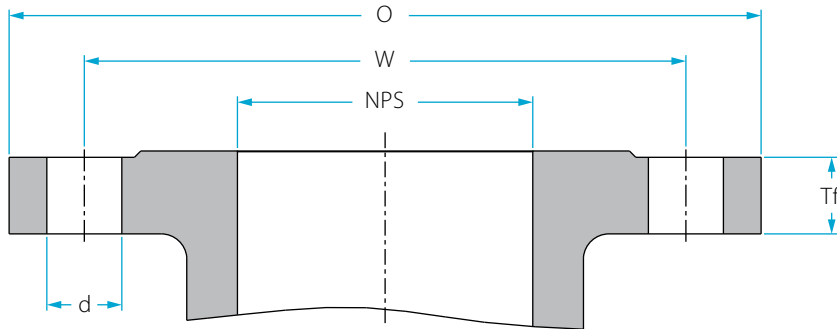
NPS Nominal Pipe Size	O		W		Tf		d		Number holes
	mm	inch	mm	inch	mm	inch	mm	inch	
1/2"	95.00	3.74	66.70	2.63	14.30	0.56	15.88	5/8	4
3/4"	115.00	4.53	82.60	3.25	15.90	0.63	19.05	3/4	4
1"	125.00	4.92	88.90	3.50	17.50	0.69	19.05	3/4	4
1 1/4"	135.00	5.31	98.40	3.87	20.70	0.81	19.05	3/4	4
1 1/2"	155.00	6.10	114.30	4.50	22.30	0.88	22.23	7/8	4
2"	165.00	6.50	127.00	5.00	25.40	1.00	19.05	3/4	8
2 1/2"	190.00	7.48	149.20	5.87	28.60	1.13	22.23	7/8	8
3"	210.00	8.27	168.30	6.63	31.80	1.25	22.23	7/8	8
3 1/2"	230.00	9.06	184.20	7.25	35.00	1.38	25.40	1	8
4"	275.00	10.83	215.90	8.50	38.10	1.50	25.40	1	8
5"	330.00	12.99	266.70	10.50	44.50	1.75	28.58	1 1/8	8
6"	355.00	13.98	292.10	11.50	47.70	1.88	28.58	1 1/8	12
8"	420.00	16.54	349.20	13.75	55.60	2.19	31.75	1 1/4	12
10"	510.00	20.08	431.80	17.00	63.50	2.50	34.93	1 3/8	16
12"	560.00	22.05	489.00	19.25	66.70	2.63	34.93	1 3/8	20
14"	605.00	23.82	527.00	20.75	69.90	2.75	38.10	1 1/2	20
16"	685.00	26.97	603.20	23.75	76.20	3.00	41.28	1 5/8	20
18"	745.00	29.33	654.00	25.75	82.60	3.25	44.45	1 3/4	20
20"	815.00	32.09	723.90	28.50	88.90	3.50	44.45	1 3/4	24
24"	940.00	37.01	838.20	33.00	101.60	4.00	50.80	2	24

Flange dimensions

ANSI B16.5

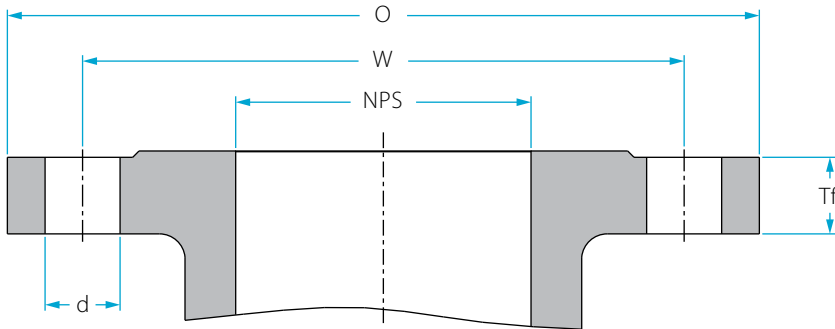
DIN EN1092

ANSI B16.5 | Class 900



NPS Nominal Pipe Size	O		W		Tf		d		Number holes
	mm	inch	mm	inch	mm	inch	mm	inch	
1/2"	120.00	4.72	82.60	3.25	22.30	0.88	22.23	7/8	4
3/4"	130.00	5.12	88.90	3.50	25.40	1.00	22.23	7/8	4
1"	150.00	5.91	101.60	4.00	28.60	1.13	25.40	1	4
1 1/4"	160.00	6.30	111.10	4.37	28.60	1.13	25.40	1	4
1 1/2"	180.00	7.09	123.80	4.87	31.80	1.25	28.58	1 1/8	4
2"	215.00	8.46	165.10	6.50	38.10	1.50	25.40	1	8
2 1/2"	245.00	9.65	190.50	7.50	41.30	1.63	28.58	1 1/8	8
3"	240.00	9.45	190.50	7.50	38.10	1.50	25.40	1	8
4"	290.00	11.42	235.00	9.25	44.50	1.75	31.75	1 1/4	8
5"	350.00	13.78	279.40	11.00	50.80	2.00	34.93	1 3/8	8
6"	380.00	14.96	317.50	12.50	55.60	2.19	31.75	1 1/4	12
8"	470.00	18.50	393.70	15.50	63.50	2.50	38.10	1 1/2	12
10"	545.00	21.46	469.90	18.50	69.90	2.75	38.10	1 1/2	16
12"	610.00	24.02	533.40	21.00	79.40	3.13	38.10	1 1/2	20
14"	640.00	25.20	558.80	22.00	85.80	3.38	41.28	1 5/8	20
16"	705.00	27.76	616.00	24.25	88.90	3.50	44.45	1 3/4	20
18"	785.00	30.91	685.80	27.00	101.60	4.00	50.80	2	20
20"	855.00	33.66	749.30	29.50	108.00	4.25	53.98	2 1/8	20
24"	1,040.00	40.94	901.70	35.50	139.70	5.50	66.68	2 5/8	20

ANSI B16.5 | Class 1500



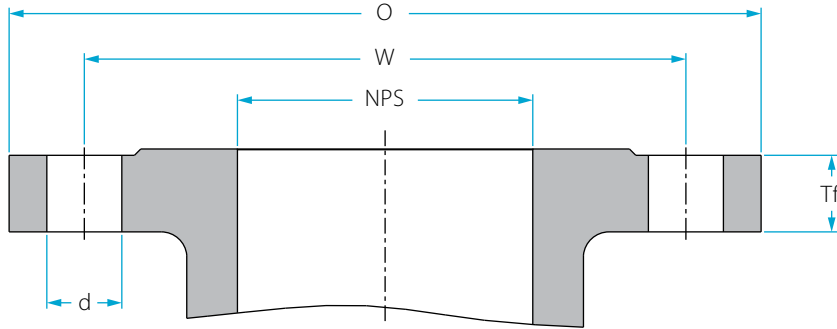
NPS Nominal Pipe Size	O		W		Tf		d		Number holes
	mm	inch	mm	inch	mm	inch	mm	inch	
1/2"	120.00	4.72	82.60	3.25	22.30	0.88	22.23	7/8	4
3/4"	130.00	5.12	88.90	3.50	25.40	1.00	22.23	7/8	4
1"	150.00	5.91	101.60	4.00	28.60	1.13	25.40	1	4
1 1/4"	160.00	6.30	111.10	4.37	28.60	1.13	25.40	1	4
1 1/2"	180.00	7.09	123.80	4.87	31.80	1.25	28.58	1 1/8	4
2"	215.00	8.46	165.10	6.50	38.10	1.50	25.40	1	8
2 1/2"	245.00	9.65	190.50	7.50	41.30	1.63	28.58	1 1/8	8
3"	265.00	10.43	203.20	8.00	47.70	1.88	31.75	1 1/4	8
4"	310.00	12.20	241.30	9.50	54.00	2.13	34.93	1 3/8	8
5"	375.00	14.76	292.10	11.50	73.10	2.88	41.28	1 5/8	8
6"	395.00	15.55	317.50	12.50	82.60	3.25	38.10	1 1/2	12
8"	485.00	19.09	393.70	15.50	92.10	3.63	44.45	1 3/4	12
10"	585.00	23.03	482.60	19.00	108.00	4.25	50.80	2	12
12"	675.00	26.57	571.50	22.50	123.90	4.88	53.98	2 1/8	16
14"	750.00	29.53	635.00	25.00	133.40	5.25	60.33	2 3/8	16
16"	825.00	32.48	704.80	27.75	146.10	5.75	66.68	2 5/8	16
18"	915.00	36.02	774.70	30.50	162.00	6.38	73.03	2 7/8	16
20"	985.00	38.78	831.80	32.75	177.80	7.00	79.38	3 1/8	16
24"	1170.00	46.06	990.60	39.00	203.20	8.00	92.08	3 5/8	16

Flange dimensions

ANSI B16.5

DIN EN1092

ANSI B16.5 | Class 2500



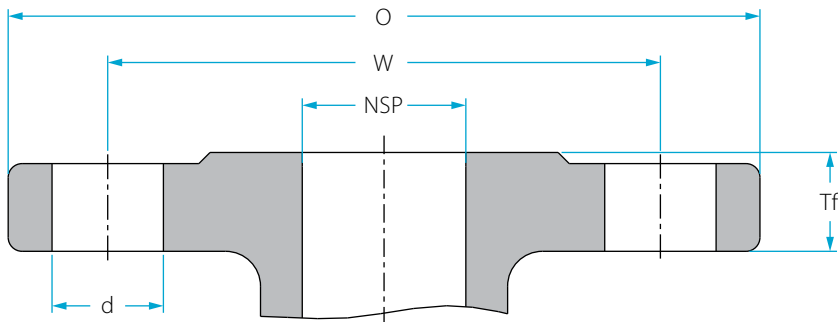
NPS Nominal Pipe Size	O		W		Tf		d		Number holes
	mm	inch	mm	inch	mm	inch	mm	inch	
1/2"	135.00	5.31	88.90	3.50	30.20	1.19	12.70	1/2	4
3/4"	140.00	5.51	95.20	3.75	31.80	1.25	12.70	1/2	4
1"	160.00	6.30	108.00	4.25	35.00	1.38	25.40	1	4
1 1/4"	185.00	7.28	130.20	5.13	38.10	1.50	28.58	1 1/8	4
1 1/2"	205.00	8.07	146.00	5.75	44.50	1.75	31.75	1 1/4	4
2"	235.00	9.25	171.40	6.75	50.90	2.00	28.58	1 1/8	8
2 1/2"	265.00	10.43	196.80	7.75	57.20	2.25	31.75	1 1/4	8
3"	305.00	12.01	228.60	9.00	66.70	2.63	34.93	1 3/8	8
4"	355.00	13.98	273.00	10.75	76.20	3.00	41.28	1 5/8	8
5"	420.00	16.54	323.80	12.75	92.10	3.63	47.63	1 7/8	8
6"	485.00	19.09	368.30	14.50	108.00	4.25	53.98	2 1/8	8
8"	550.00	21.65	438.20	17.25	127.00	5.00	53.98	2 1/8	12
10"	675.00	26.57	539.80	21.25	165.10	6.50	66.68	2 5/8	12
12"	760.00	29.92	619.10	24.37	184.20	7.25	73.03	2 7/8	12

Flange dimensions

ANSI B16.5

DIN EN1092

DIN EN1092 | DIN PN10



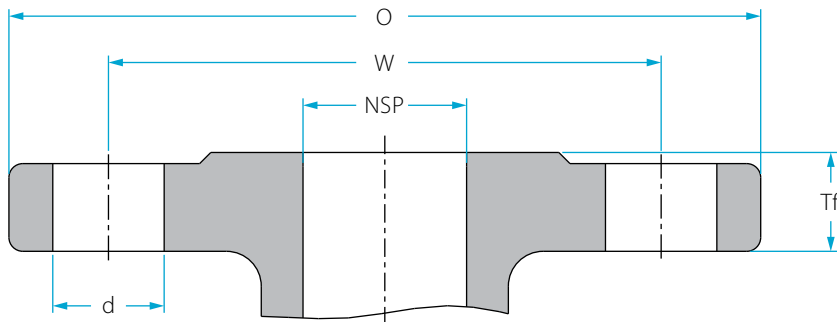
NPS Nominal Pipe Size	O		W		Tf		d		Number holes
	mm	inch	mm	inch	mm	inch	mm	inch	
10	90.00	3.54	60.00	2.36	16.00	0.63	14.00	5/8	4
15	95.00	3.74	65.00	2.56	16.00	0.63	14.00	5/8	4
20	105.00	4.13	75.00	2.95	18.00	0.71	14.00	5/8	4
25	115.00	4.53	85.00	3.35	18.00	0.71	14.00	5/8	4
32	140.00	5.51	100.00	3.94	18.00	0.71	18.00	5/7	4
40	150.00	5.91	110.00	4.33	18.00	0.71	18.00	5/7	4
50	165.00	6.50	125.00	4.92	18.00	0.71	18.00	5/7	4
65	185.00	7.28	145.00	5.71	18.00	0.71	18.00	5/7	8
80	200.00	7.87	160.00	6.30	20.00	0.79	18.00	5/7	8
100	220.00	8.66	180.00	7.09	20.00	0.79	18.00	5/7	8
125	250.00	9.84	210.00	8.27	22.00	0.87	18.00	5/7	8
150	285.00	11.22	240.00	9.45	22.00	0.87	22.00	6/7	8
200	340.00	13.39	295.00	11.61	24.00	0.94	22.00	6/7	8
250	395.00	15.55	350.00	13.78	26.00	1.02	22.00	6/7	12
300	445.00	17.52	400.00	15.75	26.00	1.02	22.00	6/7	12
350	505.00	19.88	460.00	18.11	26.00	1.02	22.00	6/7	16
400	565.00	22.24	515.00	20.28	26.00	1.02	26.00	1	16
450	615.00	24.21	565.00	22.24	28.00	1.10	26.00	1	20
500	670.00	26.38	620.00	24.41	28.00	1.10	26.00	1	20
600	780.00	30.71	725.00	28.54	30.00	1.18	30.00	1 1/8	20

Flange dimensions

ANSI B16.5

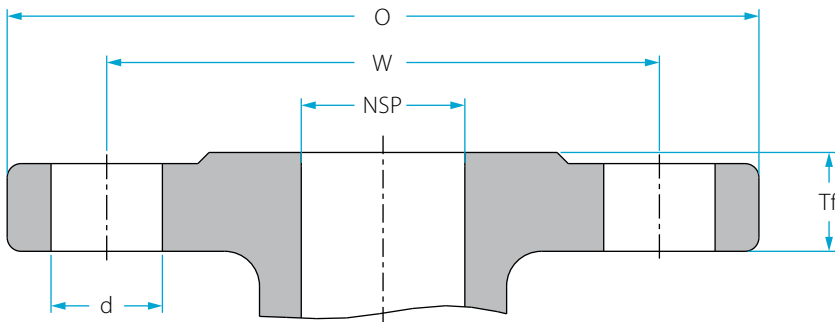
DIN EN1092

DIN EN1092 | DIN PN16



NPS Nominal Pipe Size	O		W		Tf		d		Number holes
	mm	inch	mm	inch	mm	inch	mm	inch	
10	90.00	3.54	60.00	2.36	16.00	0.63	14.00	5/8	4
15	95.00	3.74	65.00	2.56	16.00	0.63	14.00	5/8	4
20	105.00	4.13	75.00	2.95	18.00	0.71	14.00	5/8	4
25	115.00	4.53	85.00	3.35	18.00	0.71	14.00	5/8	4
32	140.00	5.51	100.00	3.94	18.00	0.71	18.00	5/7	4
40	150.00	5.91	110.00	4.33	18.00	0.71	18.00	5/7	4
50	165.00	6.50	125.00	4.92	18.00	0.71	18.00	5/7	4
65	185.00	7.28	145.00	5.71	18.00	0.71	18.00	5/7	8
80	200.00	7.87	160.00	6.30	20.00	0.79	18.00	5/7	8
100	220.00	8.66	180.00	7.09	20.00	0.79	18.00	5/7	8
125	250.00	9.84	210.00	8.27	22.00	0.87	18.00	5/7	8
150	285.00	11.22	240.00	9.45	22.00	0.87	22.00	6/7	8
200	340.00	13.39	295.00	11.61	24.00	0.94	22.00	6/7	8
250	405.00	15.94	350.00	13.78	26.00	1.02	22.00	6/7	12
300	460.00	18.11	400.00	15.75	28.00	1.10	22.00	6/7	12
350	520.00	20.47	460.00	18.11	30.00	1.18	22.00	6/7	16
400	580.00	22.83	515.00	20.28	32.00	1.26	26.00	1	16
450	640.00	25.20	565.00	22.24	34.00	1.34	26.00	1	20
500	715.00	28.15	620.00	24.41	36.00	1.42	26.00	1	20
600	840.00	33.07	725.00	28.54	40.00	1.57	30.00	1 1/8	20

DIN EN1092 | DIN PN25



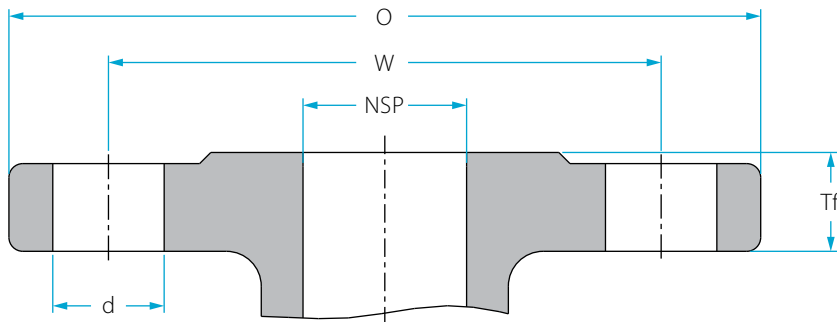
NPS Nominal Pipe Size	O		W		Tf		d		Number holes
	mm	inch	mm	inch	mm	inch	mm	inch	
10	90.00	3.54	60.00	2.36	16.00	0.63	14.00	5/8	4
15	95.00	3.74	65.00	2.56	16.00	0.63	14.00	5/8	4
20	105.00	4.13	75.00	2.95	18.00	0.71	14.00	5/8	4
25	115.00	4.53	85.00	3.35	18.00	0.71	14.00	5/8	4
32	140.00	5.51	100.00	3.94	18.00	0.71	18.00	5/7	4
40	150.00	5.91	110.00	4.33	18.00	0.71	18.00	5/7	4
50	165.00	6.50	125.00	4.92	20.00	0.79	18.00	5/7	4
65	185.00	7.28	145.00	5.71	22.00	0.87	18.00	5/7	8
80	200.00	7.87	160.00	6.30	24.00	0.94	18.00	5/7	8
100	235.00	9.25	190.00	7.48	24.00	0.94	22.00	6/7	8
125	270.00	10.63	220.00	8.66	26.00	1.02	26.00	1	8
150	300.00	11.81	250.00	9.84	28.00	1.10	26.00	1	8
200	360.00	14.17	310.00	12.20	30.00	1.18	26.00	1	8
250	425.00	16.73	370.00	14.57	32.00	1.26	30.00	1 1/6	12
300	485.00	19.09	430.00	16.93	34.00	1.34	30.00	1 1/6	12
350	555.00	21.85	490.00	19.29	38.00	1.50	33.00	1 2/7	16
400	620.00	24.41	550.00	21.65	40.00	1.57	36.00	1 3/7	16
450	670.00	26.38	600.00	23.62	46.00	1.81	36.00	1 3/7	20
500	730.00	28.74	660.00	25.98	48.00	1.89	36.00	1 3/7	20
600	845.00	33.27	770.00	30.31	48.00	1.89	39.00	1 1/2	20

Flange dimensions

ANSI B16.5

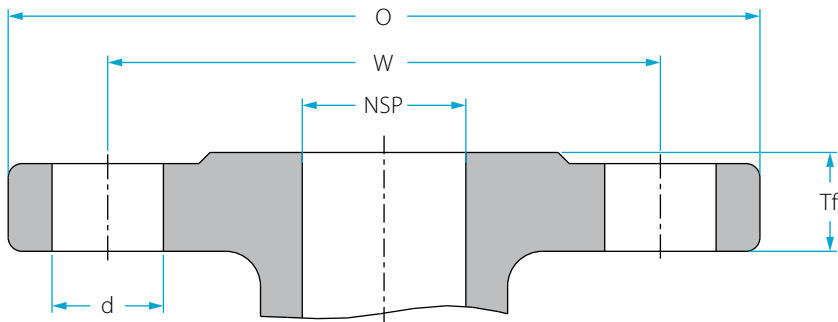
DIN EN1092

DIN EN1092 | DIN PN40



NPS Nominal Pipe Size	O		W		Tf		d		Number holes
	mm	inch	mm	inch	mm	inch	mm	inch	
10	90.00	3.54	60.00	2.36	16.00	0.63	14.00	5/8	4
15	95.00	3.74	65.00	2.56	16.00	0.63	14.00	5/8	4
20	105.00	4.13	75.00	2.95	18.00	0.71	14.00	5/8	4
25	115.00	4.53	85.00	3.35	18.00	0.71	14.00	5/8	4
32	140.00	5.51	100.00	3.94	18.00	0.71	18.00	5/7	4
40	150.00	5.91	110.00	4.33	18.00	0.71	18.00	5/7	4
50	165.00	6.50	125.00	4.92	20.00	0.79	18.00	5/7	4
65	185.00	7.28	145.00	5.71	22.00	0.87	18.00	5/7	8
80	200.00	7.87	160.00	6.30	24.00	0.94	18.00	5/7	8
100	235.00	9.25	190.00	7.48	24.00	0.94	22.00	6/7	8
125	270.00	10.63	220.00	8.66	26.00	1.02	26.00	1	8
150	300.00	11.81	250.00	9.84	28.00	1.10	26.00	1	8
200	375.00	14.76	320.00	12.60	34.00	1.34	30.00	1 1/8	12
250	450.00	17.72	385.00	15.16	38.00	1.50	33.00	1 3/7	12
300	515.00	20.28	450.00	17.72	42.00	1.65	33.00	1 3/7	16
350	580.00	22.83	510.00	20.08	46.00	1.81	36.00	1 3/7	16
400	660.00	25.98	585.00	23.03	50.00	1.97	39.00	1 1/2	16
450	685.00	26.97	610.00	24.02	57.00	2.24	39.00	1 1/2	20
500	755.00	29.72	670.00	26.38	57.00	2.24	42.00	1 2/3	20
600	890.00	35.04	795.00	31.30	72.00	2.83	48.00	1 5/8	20

DIN EN1092 | DIN PN63



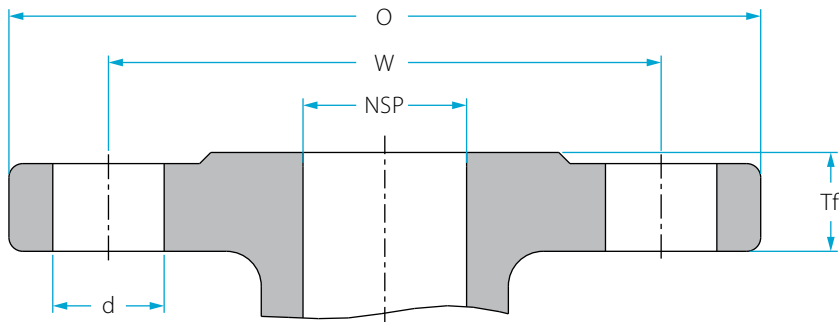
NPS Nominal Pipe Size	O		W		Tf		d		Number holes
	mm	inch	mm	inch	mm	inch	mm	inch	
10	100.00	3.94	70.00	2.76	20.00	0.79	14.00	5/8	4
15	105.00	4.13	75.00	2.95	20.00	0.79	14.00	5/8	4
20	130.00	5.12	90.00	3.54	22.00	0.87	18.00	5/7	4
25	140.00	5.51	100.00	3.94	24.00	0.94	18.00	5/7	4
32	155.00	6.10	110.00	4.33	24.00	0.94	22.00	6/7	4
40	170.00	6.69	125.00	4.92	26.00	1.02	22.00	6/7	4
50	180.00	7.09	135.00	5.31	26.00	1.02	22.00	6/7	4
65	205.00	8.07	160.00	6.30	26.00	1.02	22.00	6/7	8
80	215.00	8.46	170.00	6.69	28.00	1.10	22.00	6/7	8
100	250.00	9.84	200.00	7.87	30.00	1.18	26.00	1	8
125	295.00	11.61	240.00	9.45	34.00	1.34	30.00	1 1/6	8
150	345.00	13.58	280.00	11.02	36.00	1.42	33.00	1 2/7	8
200	415.00	16.34	345.00	13.58	42.00	1.65	36.00	1 3/7	12
250	470.00	18.50	400.00	15.75	46.00	1.81	36.00	1 3/7	12
300	530.00	20.87	460.00	18.11	52.00	2.05	36.00	1 3/7	16
350	600.00	23.62	525.00	20.67	56.00	2.20	39.00	1 1/2	16
400	670.00	26.38	585.00	23.03	60.00	2.36	42.00	1 2/3	16

Flange dimensions

ANSI B16.5

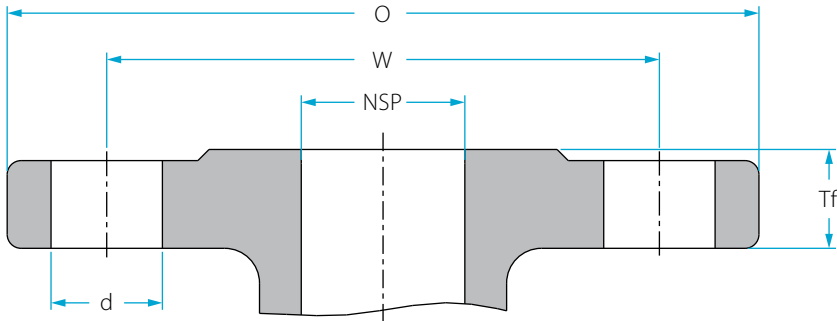
DIN EN1092

DIN EN1092 | DIN PN100



NPS Nominal Pipe Size	O		W		Tf		d		Number holes
	mm	inch	mm	inch	mm	inch	mm	inch	
10	100.00	3.94	70.00	2.76	20.00	0.79	14.00	5/8	4
15	105.00	4.13	75.00	2.95	20.00	0.79	14.00	5/8	4
20	130.00	5.12	90.00	3.54	22.00	0.87	18.00	5/7	4
25	140.00	5.51	100.00	3.94	24.00	0.94	18.00	5/7	4
32	155.00	6.10	110.00	4.33	24.00	0.94	22.00	6/7	4
40	170.00	6.69	125.00	4.92	26.00	1.02	22.00	6/7	4
50	195.00	7.68	145.00	5.71	28.00	1.10	26.00	1	4
65	220.00	8.66	170.00	6.69	30.00	1.18	26.00	1	8
80	230.00	9.06	180.00	7.09	32.00	1.26	26.00	1	8
100	265.00	10.43	210.00	8.27	36.00	1.42	30.00	1 1/8	8
125	315.00	12.40	250.00	9.84	40.00	1.57	33.00	1 3/7	8
150	355.00	13.98	290.00	11.42	44.00	1.73	33.00	1 3/7	12
200	430.00	16.93	360.00	14.17	52.00	2.05	36.00	1 3/7	12
250	505.00	19.88	430.00	16.93	60.00	2.36	39.00	1 1/2	12
300	585.00	23.03	500.00	19.69	68.00	2.68	42.00	1 2/3	16
350	655.00	25.79	560.00	22.05	74.00	2.91	48.00	1 5/8	16

DIN EN1092 | DIN PN160



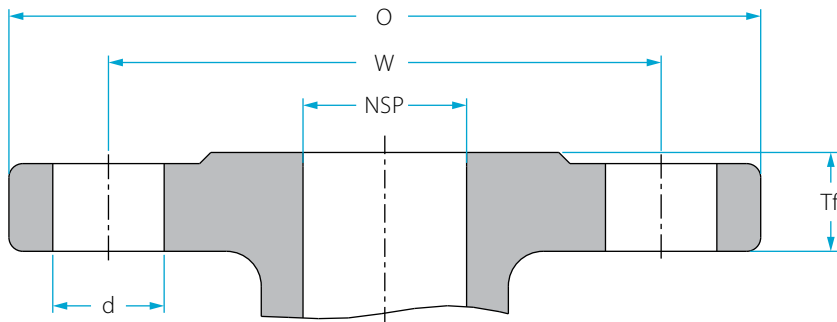
NPS Nominal Pipe Size	O		W		Tf		d		Number holes
	mm	inch	mm	inch	mm	inch	mm	inch	
10	100.00	3.94	70.00	2.76	20.00	0.79	14.00	5/8	4
15	105.00	4.13	75.00	2.95	20.00	0.79	14.00	5/8	4
25	140.00	5.51	100.00	3.94	24.00	0.94	18.00	5/7	4
40	170.00	6.69	125.00	4.92	28.00	1.10	22.00	6/7	4
50	195.00	7.68	145.00	5.71	30.00	1.18	26.00	1	4
65	220.00	8.66	170.00	6.69	34.00	1.34	26.00	1	8
80	230.00	9.06	180.00	7.09	36.00	1.42	26.00	1	8
100	265.00	10.43	210.00	8.27	40.00	1.57	30.00	1 1/8	8
125	315.00	12.40	250.00	9.84	44.00	1.73	33.00	1 2/7	8
150	355.00	13.98	290.00	11.42	50.00	1.97	33.00	1 2/7	12
200	430.00	16.93	360.00	14.17	60.00	2.36	36.00	1 3/7	12
250	515.00	20.28	430.00	16.93	68.00	2.68	42.00	1 2/3	12
300	585.00	23.03	500.00	19.69	78.00	3.07	42.00	1 2/3	16

Flange dimensions

ANSI B16.5

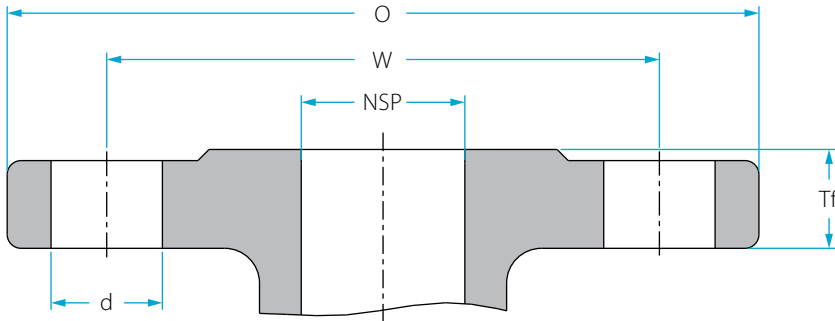
DIN EN1092

DIN EN1092 | DIN PN250



NPS Nominal Pipe Size	O		W		Tf		d		Number holes
	mm	inch	mm	inch	mm	inch	mm	inch	
10	125.00	4.92	85.00	3.35	-	-	18.00	5/7	4
15	130.00	5.12	90.00	3.54	26.00	1.02	18.00	5/7	4
25	150.00	5.91	105.00	4.13	28.00	1.10	22.00	6/7	4
40	185.00	7.28	135.00	5.31	34.00	1.34	26.00	1	4
50	200.00	7.87	150.00	5.91	38.00	1.50	26.00	1	8
65	230.00	9.06	180.00	7.09	42.00	1.65	26.00	1	8
80	255.00	10.04	200.00	7.87	46.00	1.81	30.00	1 1/6	8
100	300.00	11.81	235.00	9.25	54.00	2.13	33.00	1 2/7	8
125	340.00	13.39	275.00	10.83	60.00	2.36	33.00	1 3/7	12
150	390.00	15.35	320.00	12.60	68.00	2.68	36.00	1 3/7	12
200	485.00	19.09	400.00	15.75	82.00	3.23	42.00	1 2/3	12
250	585.00	23.03	490.00	19.29	100.00	3.94	48.00	1 8/9	16
300	690.00	27.17	590.00	23.23	-	-	52.00	2	16

DIN EN1092 | DIN PN320



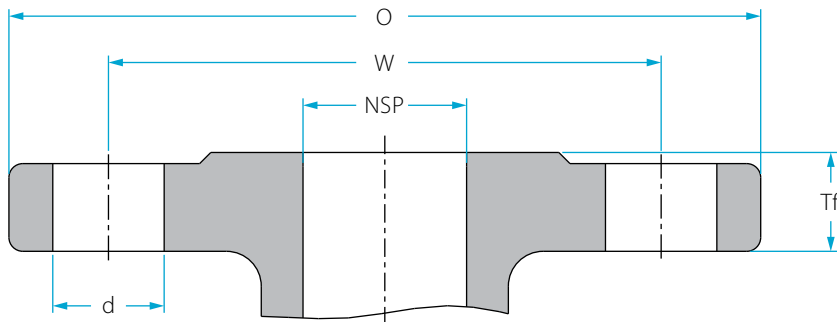
NPS Nominal Pipe Size	O		W		Tf		d		Number holes
	mm	inch	mm	inch	mm	inch	mm	inch	
10	125.00	4.92	85.00	3.35	24.00	0.94	18.00	5/7	4
15	130.00	5.12	90.00	3.54	26.00	1.02	18.00	5/7	4
25	160.00	6.30	115.00	4.53	34.00	1.34	22.00	6/7	4
40	195.00	7.68	145.00	5.71	38.00	1.50	26.00	1	4
50	210.00	8.27	160.00	6.30	42.00	1.65	26.00	1	8
65	255.00	10.04	200.00	7.87	51.00	2.01	30.00	1 1/6	8
80	275.00	10.83	220.00	8.66	55.00	2.17	30.00	1 1/6	8
100	335.00	13.19	265.00	10.43	65.00	2.56	36.00	1 3/7	8
125	380.00	14.96	310.00	12.20	75.00	2.95	36.00	1 3/7	12
150	425.00	16.73	350.00	13.78	84.00	3.31	39.00	1 1/2	12
200	525.00	20.67	440.00	17.32	103.00	4.06	42.00	1 2/3	16
250	640.00	25.20	540.00	21.26	125.00	4.92	52.00	2	16

Flange dimensions

ANSI B16.5

DIN EN1092

DIN EN1092 | DIN PN400



NPS Nominal Pipe Size	O		W		Tf		d		Number holes
	mm	inch	mm	inch	mm	inch	mm	inch	
10	125.00	4.92	85.00	3.35	28.00	1.10	18.00	5/7	4
15	145.00	5.71	100.00	3.94	30.00	1.18	22.00	6/7	4
25	180.00	7.09	130.00	5.12	38.00	1.50	26.00	1	4
40	220.00	8.66	165.00	6.50	48.00	1.89	30.00	1 1/6	4
50	235.00	9.25	180.00	7.09	52.00	2.05	30.00	1 1/6	8
65	290.00	11.42	225.00	8.86	64.00	2.52	33.00	1 3/7	8
80	305.00	12.01	240.00	9.45	68.00	2.68	33.00	1 3/7	8
100	370.00	14.57	295.00	11.61	80.00	3.15	39.00	1 1/2	8
125	415.00	16.34	340.00	13.39	92.00	3.62	39.00	1 1/2	12
150	475.00	18.70	390.00	15.35	105.00	4.13	42.00	1 2/3	12
200	585.00	23.03	490.00	19.29	130.00	5.12	48.00	1 5/8	16



www.habonim.com

ISRAEL
Habonim Headquarter
Tel: +972-4-6914911
Fax: +972-4-6914935
sales_international@habonim.com

UK
Habonim UK
Tel: +44-1633-484554
Fax: +44-1633-482252
sales_uk@habonim.com

USA
Habonim USA
Toll Free Phone: 1-866-261-8400
Toll Free Fax: 1-866-243-9959
sales_usa@habonim.com

China
Habonim China
Tel: + 86 21 64453190 *146
Fax: + 86 21 64453191
sales_china@habonim.com

Australia
Habonim Australia
Tel: +61 3 9556 5428
sales_au@habonimau.com



www.habonim.com

