

# Technical information

# Flange dimensions

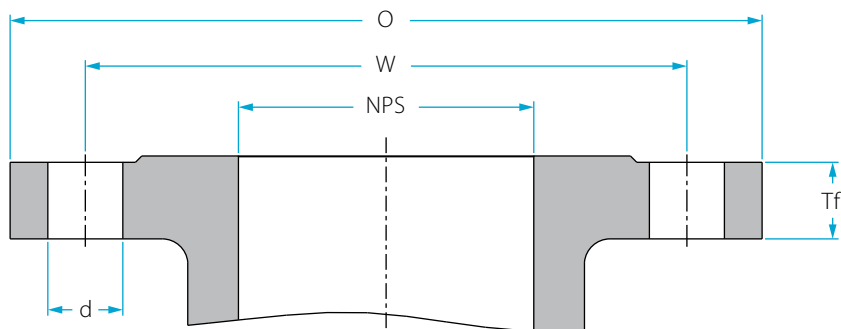


## Flange dimensions

ANSI B16.5

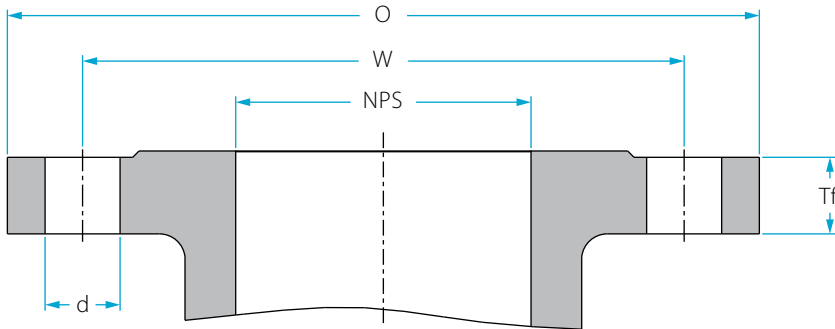
DIN EN1092

### ANSI B16.5 | Class 150



NPS Nominal Pipe Size	O		W		Tf		d		Number holes
	mm	inch	mm	inch	mm	inch	mm	inch	
1/2"	90.00	3.54	60.30	2.37	9.60	0.38	15.88	5/8	4
3/4"	100.00	3.94	69.90	2.75	11.20	0.44	15.88	5/8	4
1"	110.00	4.33	79.40	3.13	12.70	0.50	15.88	5/8	4
1 1/4"	115.00	4.53	88.90	3.50	14.30	0.56	15.88	5/8	4
1 1/2"	125.00	4.92	98.40	3.87	15.90	0.63	15.88	5/8	4
2"	150.00	5.91	120.70	4.75	17.50	0.69	19.05	3/4	4
2 1/2"	180.00	7.09	139.70	5.50	20.70	0.81	19.05	3/4	4
3"	190.00	7.48	152.40	6.00	22.30	0.88	19.05	3/4	4
3 1/2"	215.00	8.46	177.80	7.00	22.30	0.88	19.05	3/4	8
4"	230.00	9.06	190.50	7.50	22.30	0.88	19.05	3/4	8
5"	255.00	10.04	215.90	8.50	22.30	0.88	22.23	7/8	8
6"	280.00	11.02	241.30	9.50	23.90	0.94	22.23	7/8	8
8"	345.00	13.58	298.50	11.75	27.00	1.06	22.23	7/8	8
10"	405.00	15.94	362.00	14.25	28.60	1.13	25.40	1	12
12"	485.00	19.09	431.80	17.00	30.20	1.19	25.40	1	12
14"	535.00	21.06	476.30	18.75	33.40	1.31	28.58	1 1/8	12
16"	595.00	23.43	539.80	21.25	35.00	1.38	28.58	1 1/8	16
18"	635.00	25.00	577.90	22.75	38.10	1.50	31.75	1 1/4	16
20"	700.00	27.56	635.00	25.00	41.30	1.63	31.75	1 1/4	20
24"	815.00	32.09	749.30	29.50	46.10	1.81	31.75	1 3/8	20

ANSI B16.5 | Class 300



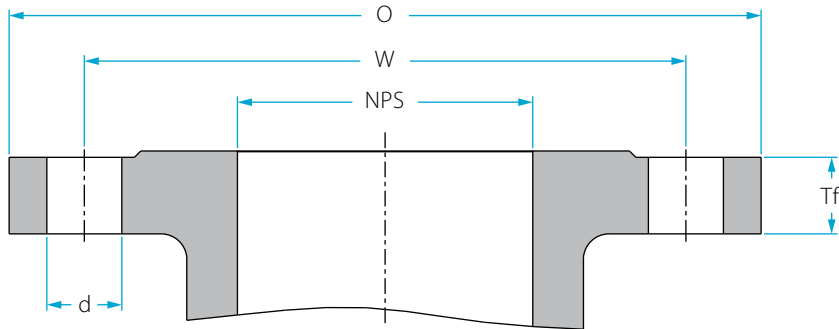
NPS Nominal Pipe Size	O		W		Tf		d		Number holes
	mm	inch	mm	inch	mm	inch	mm	inch	
1/2"	95.00	3.74	66.70	2.63	12.70	0.50	15.88	5/8	4
3/4"	115.00	4.53	82.60	3.25	14.30	0.56	19.05	3/4	4
1"	125.00	4.92	88.90	3.50	15.90	0.63	19.05	3/4	4
1 1/4"	135.00	5.31	98.40	3.87	17.50	0.69	19.05	3/4	4
1 1/2"	155.00	6.10	114.30	4.50	19.10	0.75	22.23	7/8	4
2"	165.00	6.50	127.00	5.00	20.70	0.81	19.05	5/8	8
2 1/2"	190.00	7.48	149.20	5.87	23.90	0.94	22.23	5/8	8
3"	210.00	8.27	168.30	6.63	27.00	1.06	22.23	5/8	8
3 1/2"	230.00	9.06	184.20	7.25	28.60	1.13	22.23	5/8	8
4"	255.00	10.04	200.00	7.87	30.20	1.19	22.23	5/8	8
5"	280.00	11.02	235.00	9.25	33.40	1.31	22.23	5/8	8
6"	320.00	12.60	269.90	10.63	35.00	1.38	22.23	5/8	12
8"	380.00	14.96	330.20	13.00	39.70	1.56	25.40	1	12
10"	445.00	17.52	387.40	15.25	46.10	1.81	28.58	1 1/8	16
12"	520.00	20.47	450.80	17.75	49.30	1.94	31.75	1 1/4	16
14"	585.00	23.03	514.40	20.25	52.40	2.06	31.75	1 1/4	20
16"	650.00	25.59	571.50	22.50	55.60	2.19	34.93	1 3/8	20
18"	710.00	27.95	628.60	24.75	58.80	2.31	34.93	1 3/8	24
20"	775.00	30.51	685.80	27.00	62.00	2.44	34.93	1 3/8	24
24"	915.00	36.02	812.80	32.00	68.30	2.69	41.28	1 5/8	24

## Flange dimensions

ANSI B16.5

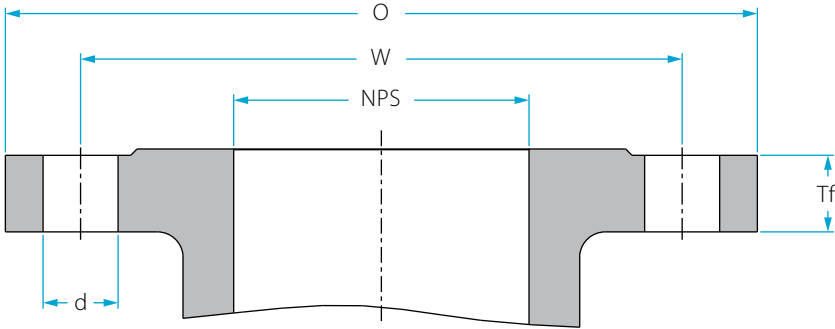
DIN EN1092

### ANSI B16.5 | Class 400



NPS Nominal Pipe Size	O		W		Tf		d		Number holes
	mm	inch	mm	inch	mm	inch	mm	inch	
1/2"	95.00	3.74	66.70	2.63	14.30	0.56	15.88	5/8	4
3/4"	115.00	4.53	82.60	3.25	15.90	0.63	19.05	3/4	4
1"	125.00	4.92	88.90	3.50	17.50	0.69	19.05	3/4	4
1 1/4"	135.00	5.31	98.40	3.87	20.70	0.81	19.05	3/4	4
1 1/2"	155.00	6.10	114.30	4.50	22.30	0.88	22.23	7/8	4
2"	165.00	6.50	127.00	5.00	25.40	1.00	19.05	3/4	8
2 1/2"	190.00	7.48	149.20	5.87	28.60	1.13	22.23	7/8	8
3"	210.00	8.27	168.30	6.63	31.80	1.25	22.23	7/8	8
3 1/2"	230.00	9.06	184.20	7.25	35.00	1.38	25.40	1	8
4"	255.00	10.04	200.00	7.87	35.00	1.38	25.40	1	8
5"	280.00	11.02	235.00	9.25	38.10	1.50	25.40	1	8
6"	320.00	12.60	269.90	10.63	41.30	1.63	25.40	1	12
8"	380.00	14.96	330.00	12.99	47.70	1.88	28.58	1 1/8	12
10"	445.00	17.52	387.40	15.25	54.00	2.13	31.75	1 1/4	16
12"	520.00	20.47	450.80	17.75	57.20	2.25	34.93	1 3/8	16
14"	585.00	23.03	514.40	20.25	60.40	2.38	34.93	1 3/8	20
16"	650.00	25.59	571.50	22.50	63.50	2.50	38.10	1 1/2	20
18"	710.00	27.95	628.60	24.75	66.70	2.63	38.10	1 1/2	24
20"	775.00	30.51	685.80	27.00	69.90	2.75	41.28	1 5/8	24
24"	915.00	36.02	812.80	32.00	76.20	3.00	47.63	1 7/8	24

ANSI B16.5 | Class 600



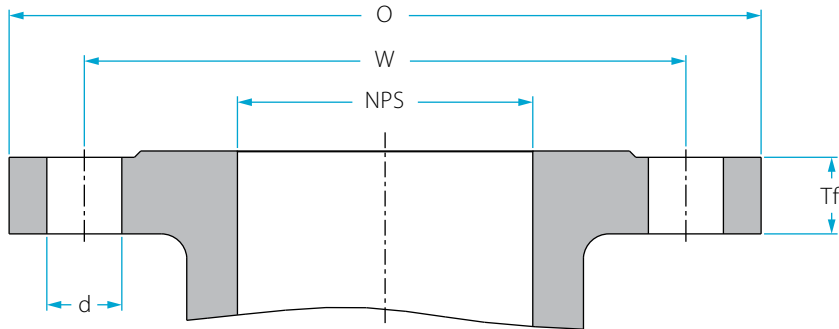
NPS Nominal Pipe Size	O		W		Tf		d		Number holes
	mm	inch	mm	inch	mm	inch	mm	inch	
1/2"	95.00	3.74	66.70	2.63	14.30	0.56	15.88	5/8	4
3/4"	115.00	4.53	82.60	3.25	15.90	0.63	19.05	3/4	4
1"	125.00	4.92	88.90	3.50	17.50	0.69	19.05	3/4	4
1 1/4"	135.00	5.31	98.40	3.87	20.70	0.81	19.05	3/4	4
1 1/2"	155.00	6.10	114.30	4.50	22.30	0.88	22.23	7/8	4
2"	165.00	6.50	127.00	5.00	25.40	1.00	19.05	3/4	8
2 1/2"	190.00	7.48	149.20	5.87	28.60	1.13	22.23	7/8	8
3"	210.00	8.27	168.30	6.63	31.80	1.25	22.23	7/8	8
3 1/2"	230.00	9.06	184.20	7.25	35.00	1.38	25.40	1	8
4"	275.00	10.83	215.90	8.50	38.10	1.50	25.40	1	8
5"	330.00	12.99	266.70	10.50	44.50	1.75	28.58	1 1/8	8
6"	355.00	13.98	292.10	11.50	47.70	1.88	28.58	1 1/8	12
8"	420.00	16.54	349.20	13.75	55.60	2.19	31.75	1 1/4	12
10"	510.00	20.08	431.80	17.00	63.50	2.50	34.93	1 3/8	16
12"	560.00	22.05	489.00	19.25	66.70	2.63	34.93	1 3/8	20
14"	605.00	23.82	527.00	20.75	69.90	2.75	38.10	1 1/2	20
16"	685.00	26.97	603.20	23.75	76.20	3.00	41.28	1 5/8	20
18"	745.00	29.33	654.00	25.75	82.60	3.25	44.45	1 3/4	20
20"	815.00	32.09	723.90	28.50	88.90	3.50	44.45	1 3/4	24
24"	940.00	37.01	838.20	33.00	101.60	4.00	50.80	2	24

## Flange dimensions

ANSI B16.5

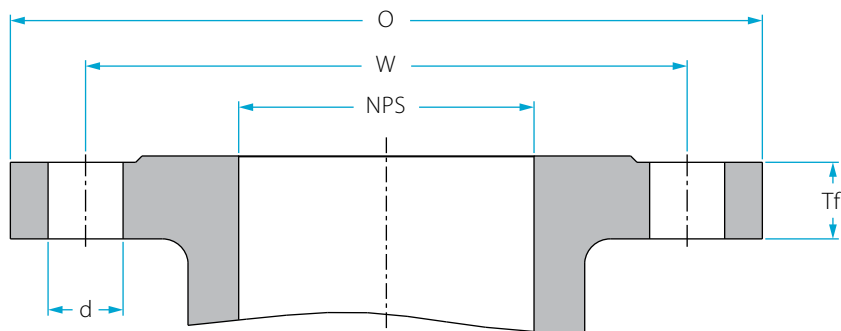
DIN EN1092

### ANSI B16.5 | Class 900



NPS Nominal Pipe Size	O		W		Tf		d		Number holes
	mm	inch	mm	inch	mm	inch	mm	inch	
1/2"	120.00	4.72	82.60	3.25	22.30	0.88	22.23	7/8	4
3/4"	130.00	5.12	88.90	3.50	25.40	1.00	22.23	7/8	4
1"	150.00	5.91	101.60	4.00	28.60	1.13	25.40	1	4
1 1/4"	160.00	6.30	111.10	4.37	28.60	1.13	25.40	1	4
1 1/2"	180.00	7.09	123.80	4.87	31.80	1.25	28.58	1 1/8	4
2"	215.00	8.46	165.10	6.50	38.10	1.50	25.40	1	8
2 1/2"	245.00	9.65	190.50	7.50	41.30	1.63	28.58	1 1/8	8
3"	240.00	9.45	190.50	7.50	38.10	1.50	25.40	1	8
4"	290.00	11.42	235.00	9.25	44.50	1.75	31.75	1 1/4	8
5"	350.00	13.78	279.40	11.00	50.80	2.00	34.93	1 3/8	8
6"	380.00	14.96	317.50	12.50	55.60	2.19	31.75	1 1/4	12
8"	470.00	18.50	393.70	15.50	63.50	2.50	38.10	1 1/2	12
10"	545.00	21.46	469.90	18.50	69.90	2.75	38.10	1 1/2	16
12"	610.00	24.02	533.40	21.00	79.40	3.13	38.10	1 1/2	20
14"	640.00	25.20	558.80	22.00	85.80	3.38	41.28	1 5/8	20
16"	705.00	27.76	616.00	24.25	88.90	3.50	44.45	1 3/4	20
18"	785.00	30.91	685.80	27.00	101.60	4.00	50.80	2	20
20"	855.00	33.66	749.30	29.50	108.00	4.25	53.98	2 1/8	20
24"	1,040.00	40.94	901.70	35.50	139.70	5.50	66.68	2 5/8	20

ANSI B16.5 | Class 1500



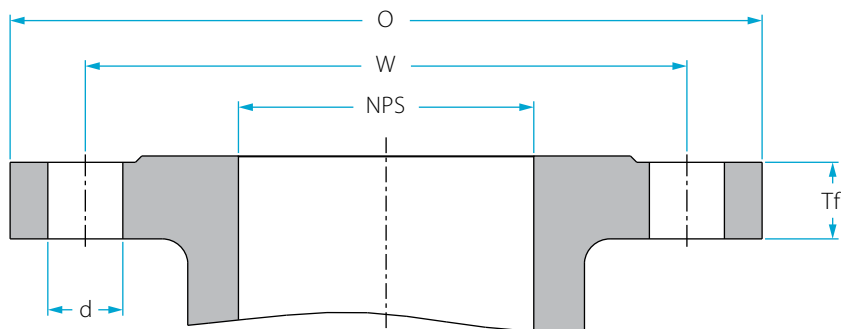
NPS Nominal Pipe Size	O		W		Tf		d		Number holes
	mm	inch	mm	inch	mm	inch	mm	inch	
1/2"	120.00	4.72	82.60	3.25	22.30	0.88	22.23	7/8	4
3/4"	130.00	5.12	88.90	3.50	25.40	1.00	22.23	7/8	4
1"	150.00	5.91	101.60	4.00	28.60	1.13	25.40	1	4
1 1/4"	160.00	6.30	111.10	4.37	28.60	1.13	25.40	1	4
1 1/2"	180.00	7.09	123.80	4.87	31.80	1.25	28.58	1 1/8	4
2"	215.00	8.46	165.10	6.50	38.10	1.50	25.40	1	8
2 1/2"	245.00	9.65	190.50	7.50	41.30	1.63	28.58	1 1/8	8
3"	265.00	10.43	203.20	8.00	47.70	1.88	31.75	1 1/4	8
4"	310.00	12.20	241.30	9.50	54.00	2.13	34.93	1 3/8	8
5"	375.00	14.76	292.10	11.50	73.10	2.88	41.28	1 5/8	8
6"	395.00	15.55	317.50	12.50	82.60	3.25	38.10	1 1/2	12
8"	485.00	19.09	393.70	15.50	92.10	3.63	44.45	1 3/4	12
10"	585.00	23.03	482.60	19.00	108.00	4.25	50.80	2	12
12"	675.00	26.57	571.50	22.50	123.90	4.88	53.98	2 1/8	16
14"	750.00	29.53	635.00	25.00	133.40	5.25	60.33	2 3/8	16
16"	825.00	32.48	704.80	27.75	146.10	5.75	66.68	2 5/8	16
18"	915.00	36.02	774.70	30.50	162.00	6.38	73.03	2 7/8	16
20"	985.00	38.78	831.80	32.75	177.80	7.00	79.38	3 1/8	16
24"	1170.00	46.06	990.60	39.00	203.20	8.00	92.08	3 5/8	16

## Flange dimensions

ANSI B16.5

DIN EN1092

### ANSI B16.5 | Class 2500



NPS Nominal Pipe Size	O		W		Tf		d		Number holes
	mm	inch	mm	inch	mm	inch	mm	inch	
1/2"	135.00	5.31	88.90	3.50	30.20	1.19	22.23	7/8	4
3/4"	140.00	5.51	95.20	3.75	31.80	1.25	22.23	7/8	4
1"	160.00	6.30	108.00	4.25	35.00	1.38	25.40	1	4
1 1/4"	185.00	7.28	130.20	5.13	38.10	1.50	28.58	1 1/8	4
1 1/2"	205.00	8.07	146.00	5.75	44.50	1.75	31.75	1 1/4	4
2"	235.00	9.25	171.40	6.75	50.90	2.00	28.58	1 1/8	8
2 1/2"	265.00	10.43	196.80	7.75	57.20	2.25	31.75	1 1/4	8
3"	305.00	12.01	228.60	9.00	66.70	2.63	34.93	1 3/8	8
4"	355.00	13.98	273.00	10.75	76.20	3.00	41.28	1 5/8	8
5"	420.00	16.54	323.80	12.75	92.10	3.63	47.63	1 7/8	8
6"	485.00	19.09	368.30	14.50	108.00	4.25	53.98	2 1/8	8
8"	550.00	21.65	438.20	17.25	127.00	5.00	53.98	2 1/8	12
10"	675.00	26.57	539.80	21.25	165.10	6.50	66.68	2 5/8	12
12"	760.00	29.92	619.10	24.37	184.20	7.25	73.03	2 7/8	12

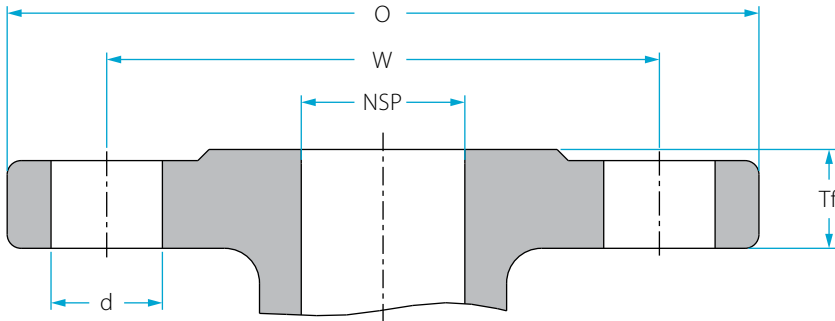


Flange dimensions

ANSI B16.5

DIN EN1092

DIN EN1092 | DIN PN10



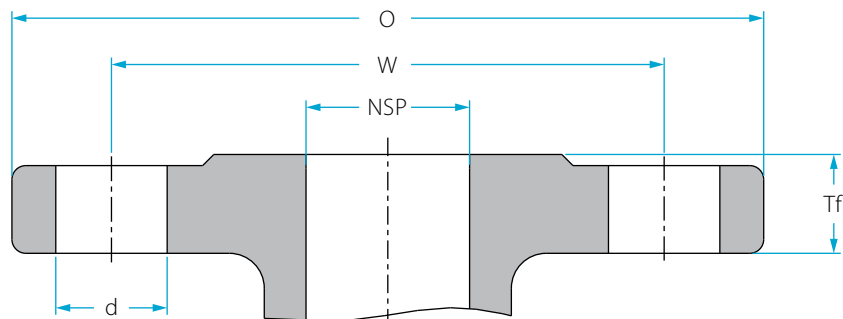
NPS Nominal Pipe Size	O		W		Tf		d		Number holes
	mm	inch	mm	inch	mm	inch	mm	inch	
10	90.00	3.54	60.00	2.36	16.00	0.63	14.00	5/8	4
15	95.00	3.74	65.00	2.56	16.00	0.63	14.00	5/8	4
20	105.00	4.13	75.00	2.95	18.00	0.71	14.00	5/8	4
25	115.00	4.53	85.00	3.35	18.00	0.71	14.00	5/8	4
32	140.00	5.51	100.00	3.94	18.00	0.71	18.00	5/8	4
40	150.00	5.91	110.00	4.33	18.00	0.71	18.00	5/8	4
50	165.00	6.50	125.00	4.92	18.00	0.71	18.00	5/8	4
65	185.00	7.28	145.00	5.71	18.00	0.71	18.00	5/8	8
80	200.00	7.87	160.00	6.30	20.00	0.79	18.00	5/8	8
100	220.00	8.66	180.00	7.09	20.00	0.79	18.00	5/8	8
125	250.00	9.84	210.00	8.27	22.00	0.87	18.00	5/8	8
150	285.00	11.22	240.00	9.45	22.00	0.87	22.00	7/8	8
200	340.00	13.39	295.00	11.61	24.00	0.94	22.00	7/8	8
250	395.00	15.55	350.00	13.78	26.00	1.02	22.00	7/8	12
300	445.00	17.52	400.00	15.75	26.00	1.02	22.00	7/8	12
350	505.00	19.88	460.00	18.11	26.00	1.02	22.00	7/8	16
400	565.00	22.24	515.00	20.28	26.00	1.02	26.00	1 1/8	16
450	615.00	24.21	565.00	22.24	28.00	1.10	26.00	1 1/8	20
500	670.00	26.38	620.00	24.41	28.00	1.10	26.00	1 1/8	20
600	780.00	30.71	725.00	28.54	30.00	1.18	30.00	1 1/2	20

## Flange dimensions

ANSI B16.5

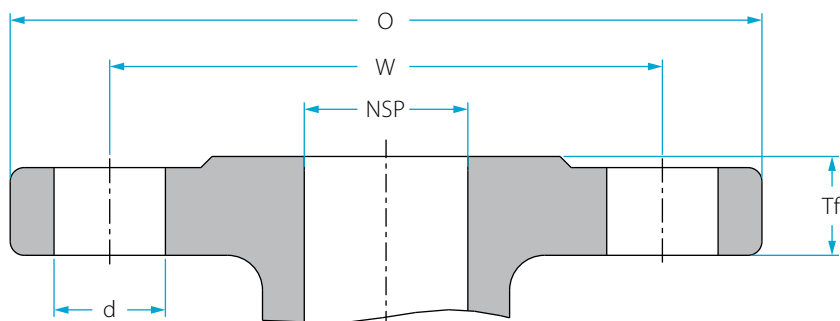
DIN EN1092

### DIN EN1092 | DIN PN16



NPS Nominal Pipe Size	O		W		Tf		d		Number holes
	mm	inch	mm	inch	mm	inch	mm	inch	
10	90.00	3.54	60.00	2.36	16.00	0.63	14.00	0.55	4
15	95.00	3.74	65.00	2.56	16.00	0.63	14.00	0.55	4
20	105.00	4.13	75.00	2.95	18.00	0.71	14.00	0.55	4
25	115.00	4.53	85.00	3.35	18.00	0.71	14.00	0.55	4
32	140.00	5.51	100.00	3.94	18.00	0.71	18.00	0.71	4
40	150.00	5.91	110.00	4.33	18.00	0.71	18.00	0.71	4
50	165.00	6.50	125.00	4.92	18.00	0.71	18.00	0.71	4
65	185.00	7.28	145.00	5.71	18.00	0.71	18.00	0.71	8
80	200.00	7.87	160.00	6.30	20.00	0.79	18.00	0.71	8
100	220.00	8.66	180.00	7.09	20.00	0.79	18.00	0.71	8
125	250.00	9.84	210.00	8.27	22.00	0.87	18.00	0.87	8
150	285.00	11.22	240.00	9.45	22.00	0.87	22.00	0.87	8
200	340.00	13.39	295.00	11.61	24.00	0.94	26.00	1.02	12
250	405.00	15.94	350.00	13.78	26.00	1.02	26.00	1.02	12
300	460.00	18.11	400.00	15.75	28.00	1.10	26.00	1.02	12
350	520.00	20.47	460.00	18.11	30.00	1.18	26.00	1.02	16
400	580.00	22.83	515.00	20.28	32.00	1.26	30.00	1.3	16
450	640.00	25.20	565.00	22.24	34.00	1.34	30.00	1.3	20
500	715.00	28.15	620.00	24.41	36.00	1.42	33.00	1.3	20
600	840.00	33.07	725.00	28.54	40.00	1.57	36.00	1.42	20

DIN EN1092 | DIN PN25



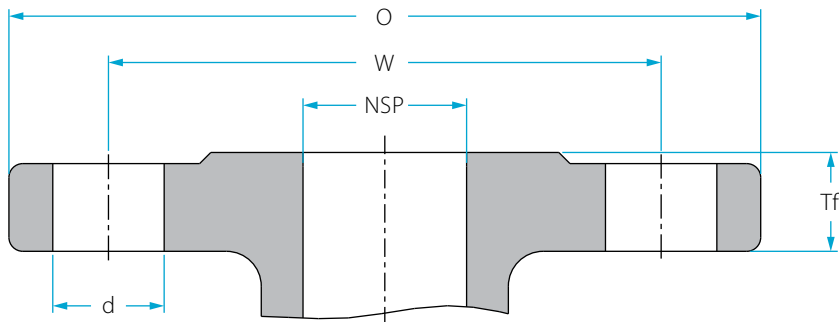
NPS Nominal Pipe Size	O		W		Tf		d		Number holes
	mm	inch	mm	inch	mm	inch	mm	inch	
10	90.00	3.54	60.00	2.36	16.00	0.63	14.00	0.55	4
15	95.00	3.74	65.00	2.56	16.00	0.63	14.00	0.55	4
20	105.00	4.13	75.00	2.95	18.00	0.71	14.00	0.55	4
25	115.00	4.53	85.00	3.35	18.00	0.71	14.00	0.55	4
32	140.00	5.51	100.00	3.94	18.00	0.71	18.00	0.71	4
40	150.00	5.91	110.00	4.33	18.00	0.71	18.00	0.71	4
50	165.00	6.50	125.00	4.92	20.00	0.79	18.00	0.71	4
65	185.00	7.28	145.00	5.71	22.00	0.87	18.00	0.71	8
80	200.00	7.87	160.00	6.30	24.00	0.94	18.00	0.71	8
100	235.00	9.25	190.00	7.48	24.00	0.94	22.00	0.86	8
125	270.00	10.63	220.00	8.66	26.00	1.02	26.00	1.02	8
150	300.00	11.81	250.00	9.84	28.00	1.10	26.00	1.02	8
200	360.00	14.17	310.00	12.20	30.00	1.18	26.00	1.02	12
250	425.00	16.73	370.00	14.57	32.00	1.26	30.00	1.18	12
300	485.00	19.09	430.00	16.93	34.00	1.34	30.00	1.18	16
350	555.00	21.85	490.00	19.29	38.00	1.50	33.00	1.70	16
400	620.00	24.41	550.00	21.65	40.00	1.57	36.00	1.42	16
450	670.00	26.38	600.00	23.62	46.00	1.81	36.00	1.42	20
500	730.00	28.74	660.00	25.98	48.00	1.89	36.00	1.42	20
600	845.00	33.27	770.00	30.31	48.00	1.89	39.00	1.53	20

## Flange dimensions

ANSI B16.5

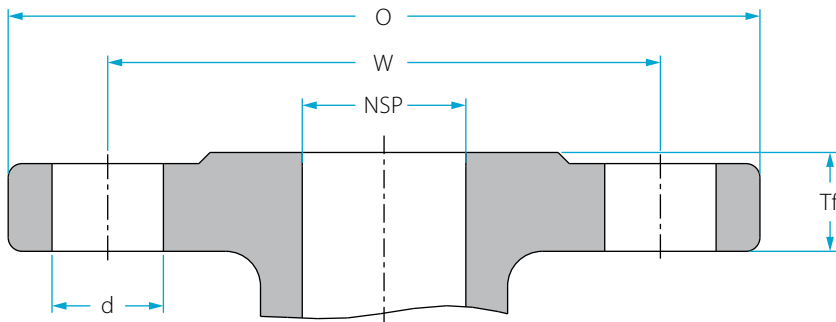
DIN EN1092

### DIN EN1092 | DIN PN40



NPS Nominal Pipe Size	O		W		Tf		d		Number holes
	mm	inch	mm	inch	mm	inch	mm	inch	
10	90.00	3.54	60.00	2.36	16.00	0.63	140.0	0.55	4
15	95.00	3.74	65.00	2.56	16.00	0.63	14.00	0.55	4
20	105.00	4.13	75.00	2.95	18.00	0.71	14.00	0.55	4
25	115.00	4.53	85.00	3.35	18.00	0.71	14.00	0.55	4
32	140.00	5.51	100.00	3.94	18.00	0.71	18.00	0.71	4
40	150.00	5.91	110.00	4.33	18.00	0.71	18.00	0.71	4
50	165.00	6.50	125.00	4.92	20.00	0.79	18.00	0.71	4
65	185.00	7.28	145.00	5.71	22.00	0.87	18.00	0.71	8
80	200.00	7.87	160.00	6.30	24.00	0.94	18.00	0.71	8
100	235.00	9.25	190.00	7.48	24.00	0.94	22.00	0.87	8
125	270.00	10.63	220.00	8.66	26.00	1.02	26.00	1.02	8
150	300.00	11.81	250.00	9.84	28.00	1.10	26.00	1.02	8
200	375.00	14.76	320.00	12.60	34.00	1.34	30.00	1.18	12
250	450.00	17.72	385.00	15.16	38.00	1.50	33.00	1.02	12
300	515.00	20.28	450.00	17.72	42.00	1.65	33.00	1.3	16
350	580.00	22.83	510.00	20.08	46.00	1.81	36.00	1.42	16
400	660.00	25.98	585.00	23.03	50.00	1.97	39.00	1.53	16
450	685.00	26.97	610.00	24.02	57.00	2.24	39.00	1.53	20
500	755.00	29.72	670.00	26.38	57.00	2.24	42.00	1.65	20
600	890.00	35.04	795.00	31.30	72.00	2.83	48.00	1.89	20

DIN EN1092 | DIN PN63



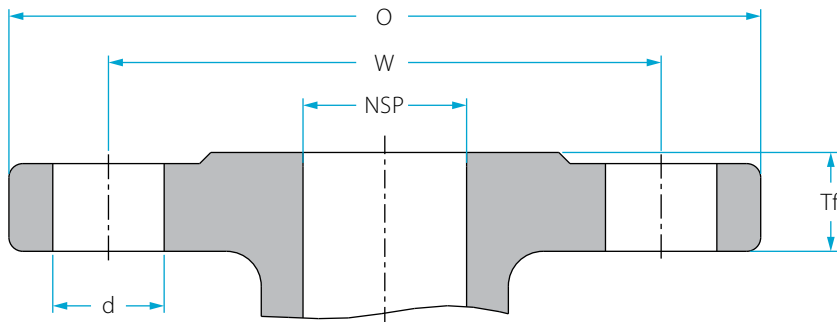
NPS Nominal Pipe Size	O		W		Tf		d		Number holes
	mm	inch	mm	inch	mm	inch	mm	inch	
10	100.00	3.94	70.00	2.76	20.00	0.79	14.00	0.55	4
15	105.00	4.13	75.00	2.95	20.00	0.79	14.00	0.55	4
20	130.00	5.12	90.00	3.54	22.00	0.87	18.00	0.71	4
25	140.00	5.51	100.00	3.94	24.00	0.94	18.00	0.71	4
32	155.00	6.10	110.00	4.33	24.00	0.94	22.00	0.87	4
40	170.00	6.69	125.00	4.92	26.00	1.02	22.00	0.87	4
50	180.00	7.09	135.00	5.31	26.00	1.02	22.00	0.87	4
65	205.00	8.07	160.00	6.30	26.00	1.02	22.00	0.87	8
80	215.00	8.46	170.00	6.69	28.00	1.10	22.00	0.87	8
100	250.00	9.84	200.00	7.87	30.00	1.18	26.00	1.02	8
125	295.00	11.61	240.00	9.45	34.00	1.34	30.00	1.18	8
150	345.00	13.58	280.00	11.02	36.00	1.42	33.00	1.18	8
200	415.00	16.34	345.00	13.58	42.00	1.65	36.00	1.42	12
250	470.00	18.50	400.00	15.75	46.00	1.81	36.00	1.42	12
300	530.00	20.87	460.00	18.11	52.00	2.05	36.00	1.42	16
350	600.00	23.62	525.00	20.67	56.00	2.20	39.00	1.53	16
400	670.00	26.38	585.00	23.03	60.00	2.36	42.00	1.65	16

## Flange dimensions

ANSI B16.5

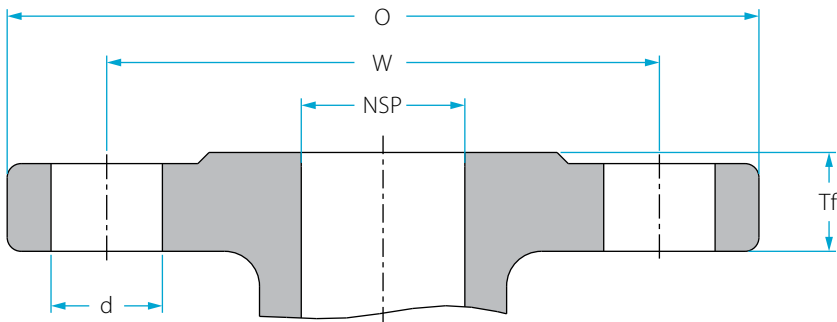
DIN EN1092

### DIN EN1092 | DIN PN100



NPS Nominal Pipe Size	O		W		Tf		d		Number holes
	mm	inch	mm	inch	mm	inch	mm	inch	
10	100.00	3.94	70.00	2.76	20.00	0.79	14.00	0.55	4
15	105.00	4.13	75.00	2.95	20.00	0.79	14.00	0.55	4
20	130.00	5.12	90.00	3.54	22.00	0.87	18.00	0.71	4
25	140.00	5.51	100.00	3.94	24.00	0.94	18.00	0.71	4
32	155.00	6.10	110.00	4.33	24.00	0.94	22.00	0.87	4
40	170.00	6.69	125.00	4.92	26.00	1.02	22.00	0.87	4
50	195.00	7.68	145.00	5.71	28.00	1.10	26.00	1.02	4
65	220.00	8.66	170.00	6.69	30.00	1.18	26.00	1.02	8
80	230.00	9.06	180.00	7.09	32.00	1.26	26.00	1.02	8
100	265.00	10.43	210.00	8.27	36.00	1.42	30.00	1.18	8
125	315.00	12.40	250.00	9.84	40.00	1.57	33.00	1.3	8
150	355.00	13.98	290.00	11.42	44.00	1.73	33.00	1.3	12
200	430.00	16.93	360.00	14.17	52.00	2.05	36.00	1.42	12
250	505.00	19.88	430.00	16.93	60.00	2.36	39.00	1.53	12
300	585.00	23.03	500.00	19.69	68.00	2.68	42.00	1.65	16
350	655.00	25.79	560.00	22.05	74.00	2.91	48.00	1.89	16

DIN EN1092 | DIN PN160



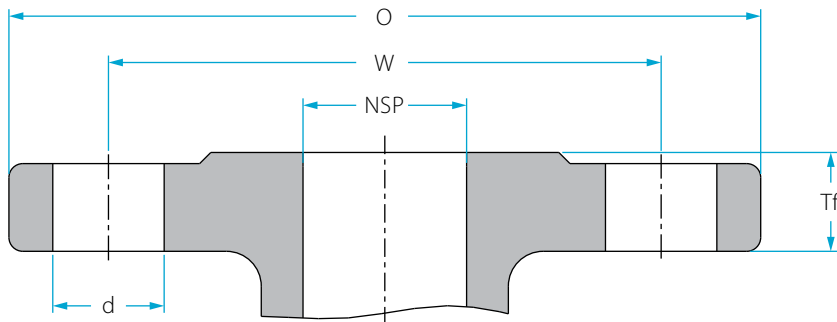
NPS Nominal Pipe Size	O		W		Tf		d		Number holes
	mm	inch	mm	inch	mm	inch	mm	inch	
10	100.00	3.94	70.00	2.76	20.00	0.79	14.00	0.55	4
15	105.00	4.13	75.00	2.95	20.00	0.79	14.00	0.55	4
25	140.00	5.51	100.00	3.94	24.00	0.94	18.00	0.71	4
40	170.00	6.69	125.00	4.92	28.00	1.10	22.00	0.87	4
50	195.00	7.68	145.00	5.71	30.00	1.18	26.00	1.02	4
65	220.00	8.66	170.00	6.69	34.00	1.34	26.00	1.02	8
80	230.00	9.06	180.00	7.09	36.00	1.42	26.00	1.02	8
100	265.00	10.43	210.00	8.27	40.00	1.57	30.00	1.18	8
125	315.00	12.40	250.00	9.84	44.00	1.73	33.00	1.3	8
150	355.00	13.98	290.00	11.42	50.00	1.97	33.00	1.3	12
200	430.00	16.93	360.00	14.17	60.00	2.36	36.00	1.42	12
250	515.00	20.28	430.00	16.93	68.00	2.68	42.00	1.65	12
300	585.00	23.03	500.00	19.69	78.00	3.07	42.00	1.65	16

## Flange dimensions

ANSI B16.5

DIN EN1092

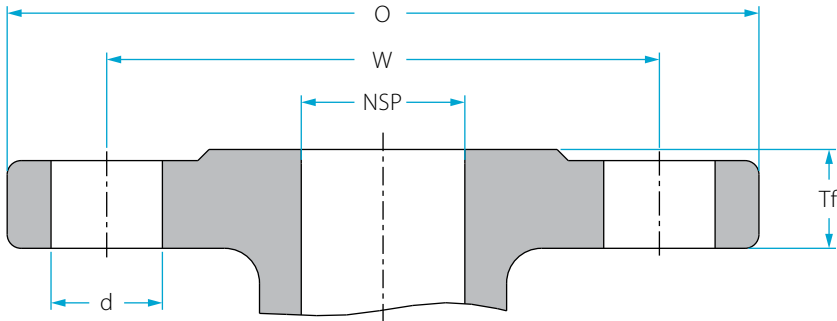
### DIN EN1092 | DIN PN250



NPS Nominal Pipe Size	O		W		Tf		d		Number holes
	mm	inch	mm	inch	mm	inch	mm	inch	
10	125.00	4.92	85.00	3.35	-	-	18.00	0.71	4
15	130.00	5.12	90.00	3.54	26.00	1.02	18.00	0.71	4
25	150.00	5.91	105.00	4.13	28.00	1.10	22.00	0.87	4
40	185.00	7.28	135.00	5.31	34.00	1.34	26.00	1.02	4
50	200.00	7.87	150.00	5.91	38.00	1.50	26.00	1.02	8
65	230.00	9.06	180.00	7.09	42.00	1.65	26.00	1.02	8
80	255.00	10.04	200.00	7.87	46.00	1.81	30.00	1.18	8
100	300.00	11.81	235.00	9.25	54.00	2.13	33.00	1.3	8
125	340.00	13.39	275.00	10.83	60.00	2.36	33.00	1.3	12
150	390.00	15.35	320.00	12.60	68.00	2.68	36.00	1.42	12
200	485.00	19.09	400.00	15.75	82.00	3.23	42.00	1.65	12
250	585.00	23.03	490.00	19.29	100.00	3.94	48.00	1.89	16
300	690.00	27.17	590.00	23.23	-	-	52.00	2.05	16



DIN EN1092 | DIN PN320



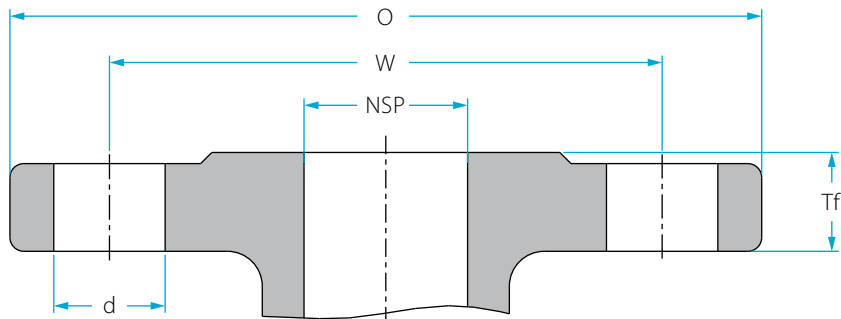
NPS Nominal Pipe Size	O		W		Tf		d		Number holes
	mm	inch	mm	inch	mm	inch	mm	inch	
10	125.00	4.92	85.00	3.35	24.00	0.94	18.00	0.71	4
15	130.00	5.12	90.00	3.54	26.00	1.02	18.00	0.71	4
25	160.00	6.30	115.00	4.53	34.00	1.34	22.00	0.87	4
40	195.00	7.68	145.00	5.71	38.00	1.50	26.00	1.02	4
50	210.00	8.27	160.00	6.30	42.00	1.65	26.00	1.02	8
65	255.00	10.04	200.00	7.87	51.00	2.01	30.00	1.18	8
80	275.00	10.83	220.00	8.66	55.00	2.17	30.00	1.18 <sup>1/2</sup>	8
100	335.00	13.19	265.00	10.43	65.00	2.56	36.00	1.42	8
125	380.00	14.96	310.00	12.20	75.00	2.95	36.00	1.42	12
150	425.00	16.73	350.00	13.78	84.00	3.31	39.00	1.54	12
200	525.00	20.67	440.00	17.32	103.00	4.06	42.00	1.65	16
250	640.00	25.20	540.00	21.26	125.00	4.92	52.00	2.05	16

## Flange dimensions

ANSI B16.5

DIN EN1092

### DIN EN1092 | DIN PN400



NPS Nominal Pipe Size	O		W		Tf		d		Number holes
	mm	inch	mm	inch	mm	inch	mm	inch	
10	125.00	4.92	85.00	3.35	28.00	1.10	18.00	0.71	4
15	145.00	5.71	100.00	3.94	30.00	1.18	22.00	0.87	4
25	180.00	7.09	130.00	5.12	38.00	1.50	26.00	1.02	4
40	220.00	8.66	165.00	6.50	48.00	1.89	30.00	1.18	4
50	235.00	9.25	180.00	7.09	52.00	2.05	30.00	1.18	8
65	290.00	11.42	225.00	8.86	64.00	2.52	33.00	1.3	8
80	305.00	12.01	240.00	9.45	68.00	2.68	33.00	1.3	8
100	370.00	14.57	295.00	11.61	80.00	3.15	39.00	1.54	8
125	415.00	16.34	340.00	13.39	92.00	3.62	39.00	1.54	12
150	475.00	18.70	390.00	15.35	105.00	4.13	42.00	1.65	12
200	585.00	23.03	490.00	19.29	130.00	5.12	48.00	1.89	16





[www.habonim.com](http://www.habonim.com)

**Habonim ISRAEL**

Tel: +972-4-6914911

Fax: +972-4-6914935

[sales\\_international@habonim.com](mailto:sales_international@habonim.com)

**Habonim EUROPE**

Tel: +34 640 384 759

[sales\\_eu@habonim.com](mailto:sales_eu@habonim.com)

**Habonim UK**

Tel: +44-1633-484554

Fax: +44-1633-482252

[sales\\_uk@habonim.com](mailto:sales_uk@habonim.com)

**Habonim USA**

Toll Free Phone: 1-866-261-8400

Toll Free Fax: 1-866-243-9959

[sales\\_usa@habonim.com](mailto:sales_usa@habonim.com)

**Habonim CHINA**

Tel: + 86 21 64453190 \*146

[sales\\_china@habonim.com](mailto:sales_china@habonim.com)

**Habonim AUSTRALIA**

Tel: +61 3 9556 5428

[sales\\_au@habonimau.com](mailto:sales_au@habonimau.com)



[www.habonim.com](http://www.habonim.com)

MAXMARK Technical Information-Flange dimensions 04/17 REV2.04

MAXMARK

