

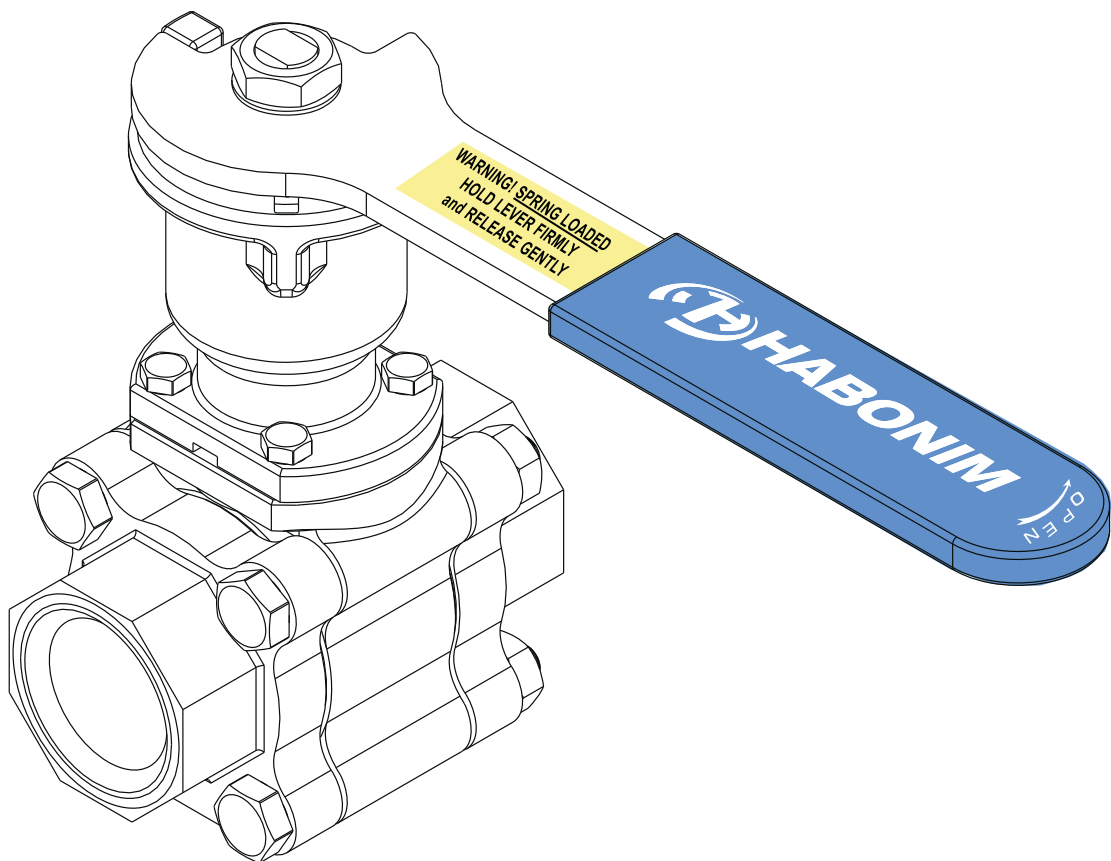
# HABONIM

## Spring Return Handle - SRH

## Installation, Operating & Maintenance

### Sizes Included

1/2" - 1 1/4" (DN15 - DN32)



Kfar Hanassi, Upper Galilee 12305 Israel  
Tel: 972 - 4 - 6914911  
Fax: 972 - 4 - 6914902  
E-Mail: [habonim@habonim.co.il](mailto:habonim@habonim.co.il)  
[www.habonim.com](http://www.habonim.com)

## 1. GENERAL

This Installation, Operating & Maintenance manual covers the instructions required for safe use of Habonim Spring Return Handle (SRH). Before using a SRH, read the entire IOM carefully and make sure you understand everything.

### WARNINGS & SAFETY INSTRUCTIONS

Habonim cannot anticipate all of the situations a user may encounter while installing and using Habonim products. The user **MUST** know and follow all applicable industry specifications on the safe installation and use of these products. Misapplication of the product may result in injuries or property damage. Refer to Habonim product catalogues, product brochures and installation, operating and maintenance manuals for additional product safety information or contact Habonim. Do not use or substitute non Habonim components or parts in Habonim products.

## 2. LIMITATIONS

The combined corrosion and erosion allowance for the SRH wall thickness is 1 mm. When this allowance has gone, the SRH should no longer be used. Inspect the SRH wall thickness every time the SRH is maintained. Refer to Habonim Corrosion Data Chart T-614 to determine the corrosion rate for your application.

As the extent of applications these products can be used in is large, it does not make it possible to cover all installation and maintenance instructions to service the SRH. It is the owner's responsibility to use the SRH as recommended and in accordance with the limits as stated in this manual. Where in doubt, please consult with Habonim.

### CAUTION:

The SRH should be used on valves in a well designed, adequately protected system to ensure that external and internal pressure and temperature limits are not exceeded. The valve body rating can be higher than the seat rating. oValve surface temperature may become extremely hot or cold due to ambient or operating conditions. Prevent any type of direct contact with the valve that may harm the workers. Wear protective gloves.

The SRH should be used on valves in a well designed, adequately supported piping system such that it will not be subjected to undue forces and moments during service. Avoid shock loads (water hammer). The valves are not designed to operate during or after earthquakes or under fatigue conditions. It is the responsibility of the owner to determine if fatigue conditions exist.

**Do not allow dust layers to build up on the equipment.**

## 3. STORAGE

Prior to storage, inspect the valve for shipping damage. Keep all protective packaging. It is recommended to keep the SRH in a clean and dry environment until ready for use.

SRH is made of Stainless steel that has natural finish and do not need any additional protection once installed.

## 4. OPERATING INSTRUCTIONS

1. Fill the housing **1** with Molykote DX White Extreme Grease.
2. Insert the bottom bearing **2** into the housing and see it properly sits in its place.
3. Completely grease the SRH spring **3** with Molykote DX White Extreme Grease and then insert it into the housing with the outer facing spring end entering the groove in the housing.
4. Grease the stem **4** with Molykote DX White Extreme Grease and insert it into the housing with the groove fitting on the inner facing spring end.
5. Insert the top bearing **5** onto the adaptor and push it down into the housing.
6. Using special pliers slightly close the retaining ring **6** and fit it to the groove in the housing.
7. Clamp the assembly in a vice using the 2 flats on the bottom of the housing.
8. Assemble the handle (with sleeve) **7** on the stem top (see figure 1). The handle pointer should sit on top of the housing stop.
9. Turn the handle 135° counter clock wise and push it down. Release the handle and let it turn until it stops on the housing stop (See figure 2).
10. Place the lock washer **8** on the top of the stem.
11. Tighten the handle nut **9** on the stem using a 11/16" spanner.
12. Check the SRH function by pulling the handle counter clock wise 90° and releasing it. Repeat several times.
13. Make sure the warning sticker **10** is already on the handle.

## 5. INSTALLATION INSTRUCTIONS

1. Fit the SRH directly on the valve.
2. For Fail Close ensure the valve is in the close position (see figure 3).
3. For Fail Open ensure the valve is in the open position (See figure 4).
4. Assemble the SRH with the housing screws **11** .

## 6. OPERATION INSTRUCTIONS

1. Rotation angle is set to 90° and is not adjustable.
2. The handle operates counter clock wise.
3. Ensure that the SRH is fitted in an orientation that allows the handle to freely turn.

## Material Specifications 1/2" - 1 1/4" (DN15-DN32)

Item	Description	Material Specifications	Qty.
1	Housing	Stainless St. ASTM A351 CF8M	1
2	Bottom Bearing	PTFE	1
3	Spring	Spring Steel ASTM A401	1
4	Stem	Stainless St. 17-4PH	1
5	Top Bearing	Brass ASTM B121	1
6	Circlip	Spring Steel DIN 472 A2	1
7	Handle (With Sleeve)	Stainless St. ASTM A240 304	1
8	Lock Washer	Stainless St. AISI 410	1
9	Handle Nut	Stainless St. ASTM A194 316	1
10	Warning Sticker	Paper	1
11	Housing Screws	Stainless St. ISO 4014 A2-70	4

### In-Line Assembly

The SRH can be fitted on valves in line without shutting down the system or removing the valve from the line.

FIGURE 1

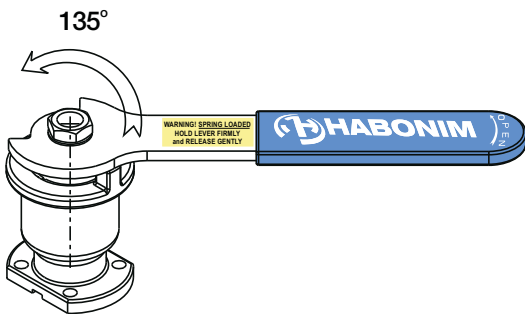


FIGURE 2

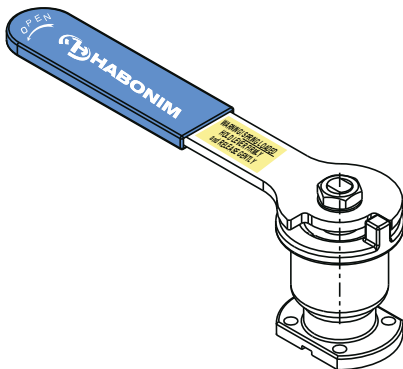


FIGURE 3

Fail Close Assembly

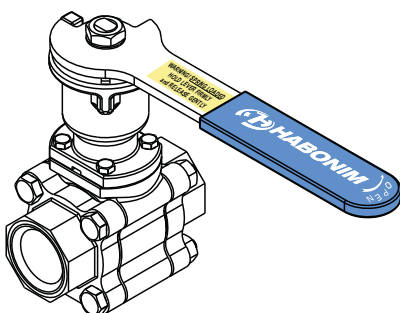


FIGURE 4

Fail Open Assembly

