

Double Block & Bleed Valves

Zero leakage DBB valve

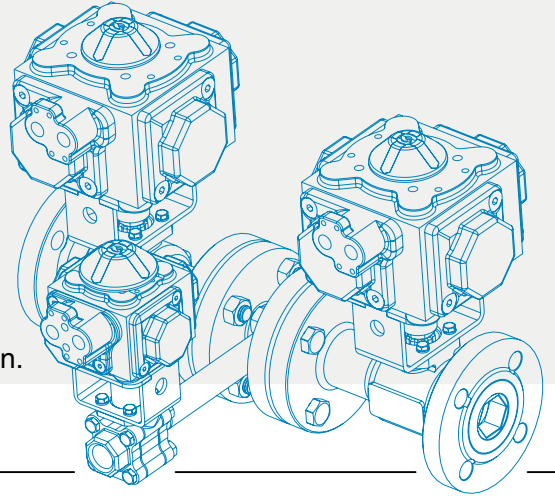
Problem Description

Customer needed a double block & bleed valve that will assure zero leakage.

The solution should be suitable for a variety of fluids like:

- ▶ Ethanol
- ▶ Water
- ▶ Nitrogen
- ▶ Stabilizer solution
- ▶ Desalted water & Acetone

The material of construction should be suitable for each application.



Solution offered

A complete unit made of two valves actuated by one actuator and a special mechanism to open the two valves simultaneously.

Valves were made of various materials of construction:

- ▶ S/S 316
- ▶ Hasteloy C
- ▶ Titamium



Manual bleed valve (S/S 316)



Actuated bleed valve (S/S 316)



Actuated bleed valve (Hasteloy C)



Actuated bleed valve (Titanium)



Advantages

- ▶ The design allows a combination of various end connectors like flanged ends, welding ends or threaded ends, as it is based on a standard Habonim 3 piece 47P series parts.
- ▶ The customer uses only one actuator, one limit switch and one solenoid that reduces the cost and assures that one signal operates the two valves.
- ▶ Options to have the bleed valve manual with a Habonim **L**ocked in **L**ast **P**osition (LLP) unique locking device or actuated.
- ▶ The same solution was implemented on many sizes and for many applications in the same plant.
- ▶ All internal parts are standard parts, and maintenance is very simple and easy.



Results

No leakage since installations. Customer is continuously replacing existing competitor's valves in this site and other plants.