



ITIS B.V.
 Daniëlsweg 6
 NL-4451 HP Heinkenszand
 T + 31 113 568515
 info@itis-nl.com
 www.itis-nl.com

ITIS Certificate
 32039-C001 revision 2
 Annex 1: F31X drawing
 Annex 2 F31G drawing



Industrie Service

API607 AND ISO 10497 FIRE TEST QUALIFICATION CERTIFICATE

This certificate is to certify that the valve below has been tested in accordance with and meets all limits stated in API Standard 607, sixth edition September 2010; Fire test for quarter turn valves and valves with non metallic seats, and ISO 10497 third edition 2010-02-15 Testing of valves - Fire- type testing requirements.

Test valve details

Manufacturer : Habonim Industrial Valves & Actuators
 Address : Kfar Hanassi 12305
 Nominal size : DN50 2 inch
 Pressure rating : 150 lbs
 Type : AF31X-6666TT/150-LAX-G (Side entry floating ball valve)
 Weight : 8 kg (approximately)
 Bore : Reduced bore
 Flow direction : Uni- directional
 Drawing number : 20-OF31X-6666TT-150-LAX-G-FT Rev. HA, Date: 15-04-2012
 Body material : A351 CF8M
 Body seal material : Primary PTFE, secondary Graphite
 Ball material : A351 CF8M
 Seat material : PTFE
 Stem material : A479 316/316L
 Stem seal material : TFM Hermetix™ (1x)
 ITIS ID number : 32039001 (ITIS)
 Markings on valve : Materials, size and class on valve tag plate, serial no. On Body
 Gearbox fitted : No

Scope of other sizes, pressures and materials qualified by this test.

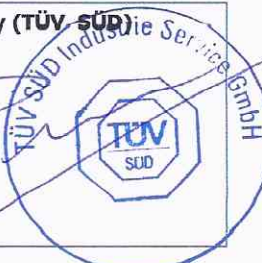
For material qualification see paragraph 7.2 in report mentioned below.

Valve types with same basic design as tested valve. According Habonim information	7.3 Nominal Size	7.4 Pressure rating
F31X becomes F31G	NPS2 and below, 2½, 3 and 4 DN50 and below, 65, 80 and 100	Class 150 PN10, PN16,
F32X becomes F32G	NPS2 and below, 2½, 3 and 4 DN50 and below, 65, 80 and 100	Class 300 PN25 and PN40

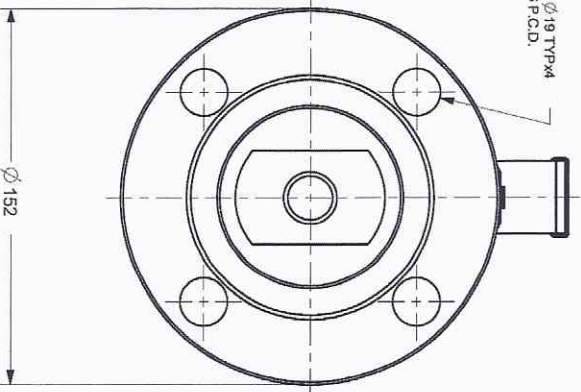
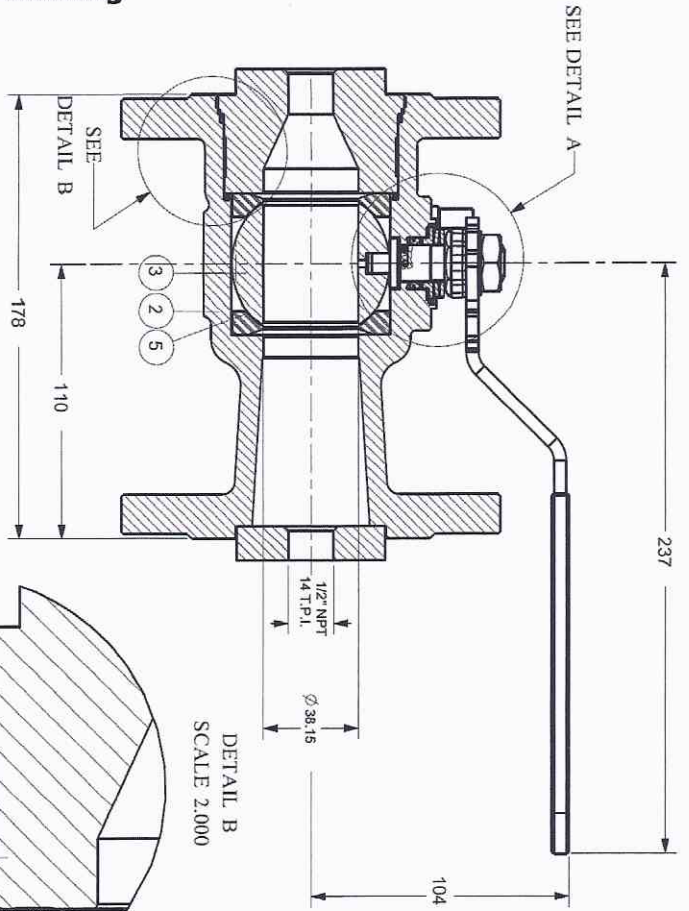
This certificate is only valid in conjunction with the full ITIS BV test report number 32039-R001

Signature operator (ITIS)
 F. Huiszoon

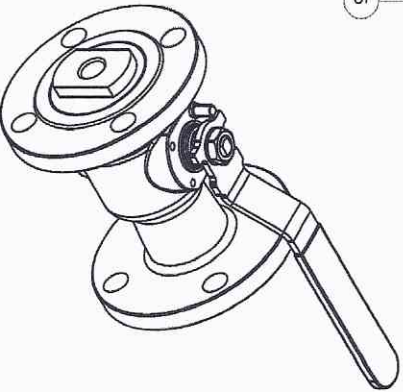
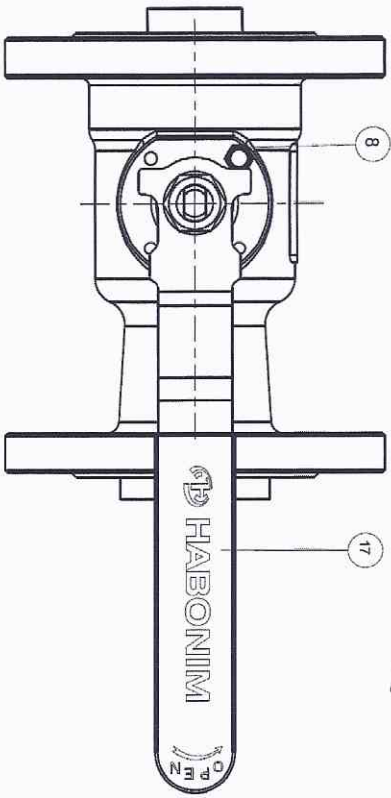
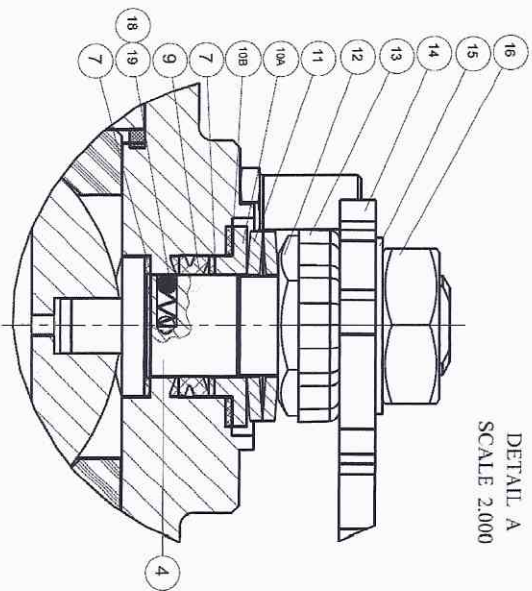
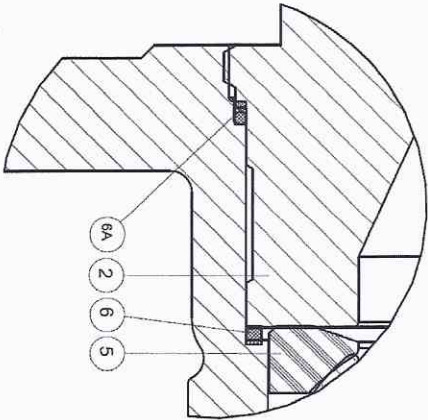
 F. Huiszoon
 11-07-2013

Agreed authority (TUV SUD)
 P. Deleu

 11-07-2013

32039-C001 revision 2 Annex 1 F31X drawing



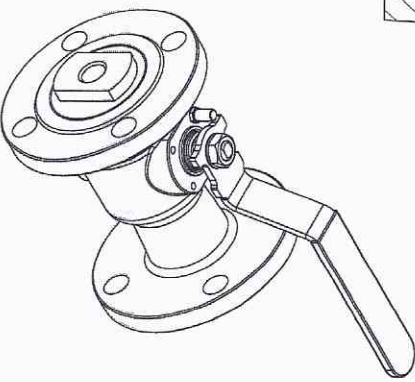
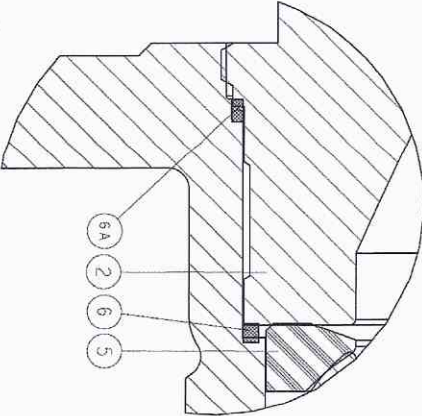
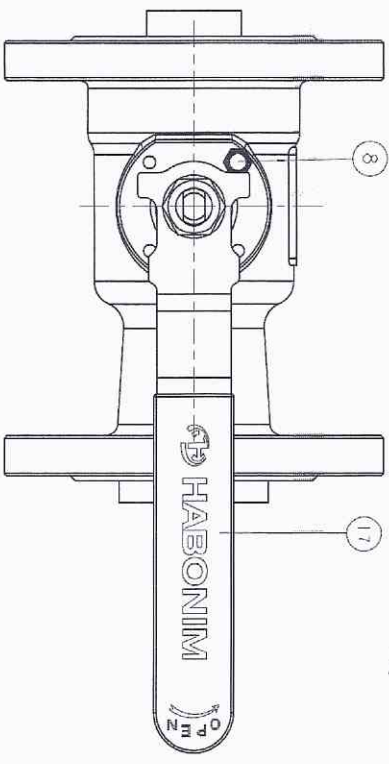
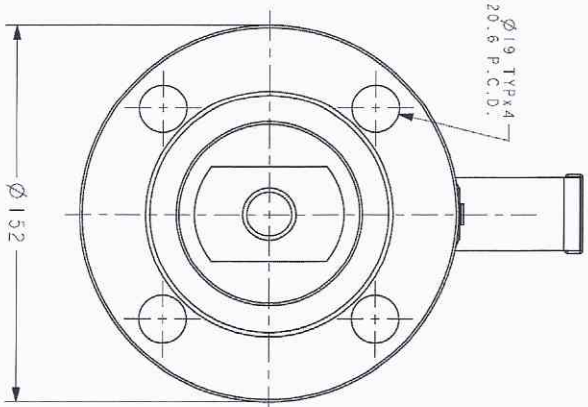
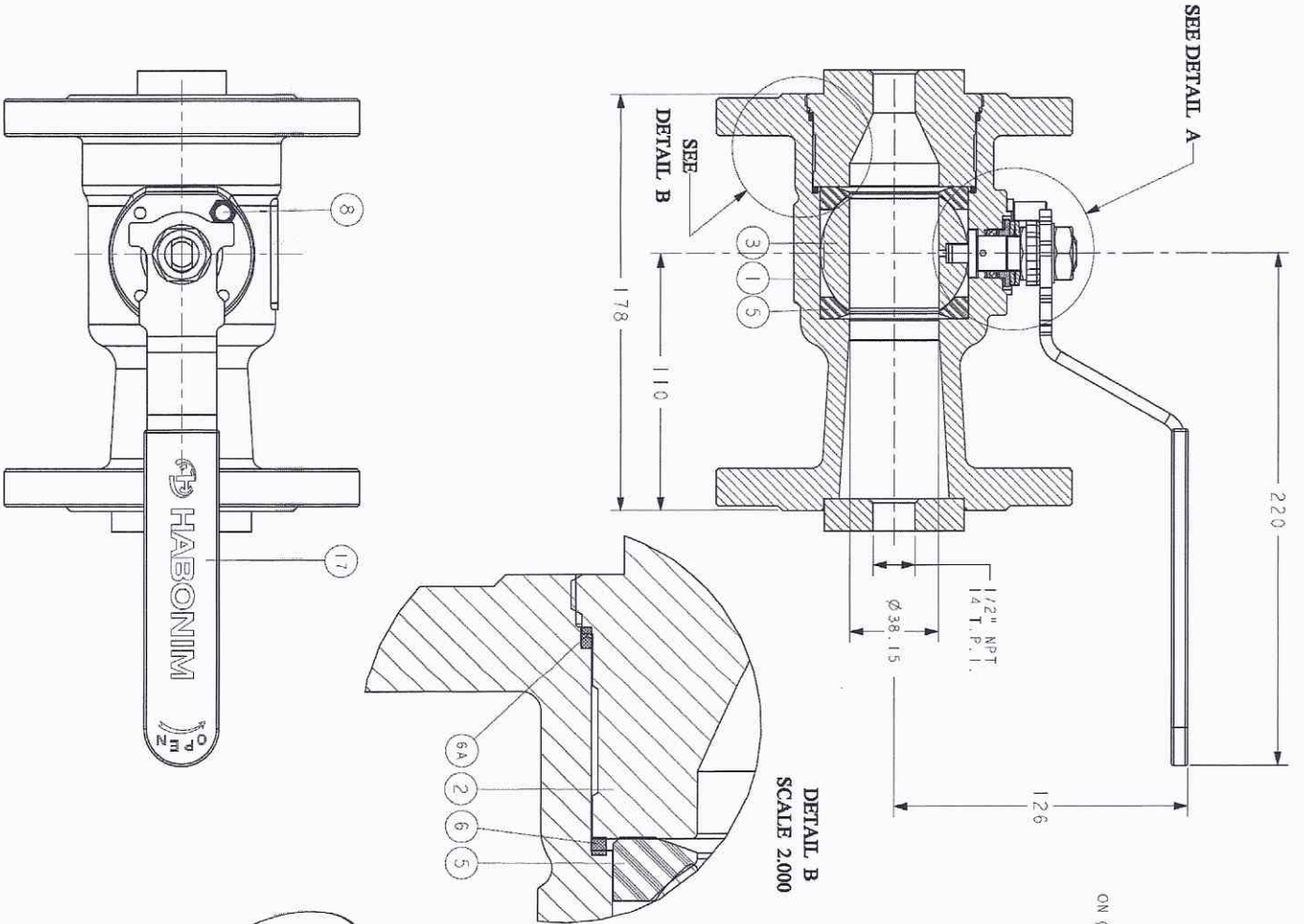
Item	Description	Material Specifications	Qty.
1	Body	A351 CF8M	1
2	Plug	A351 CF8M	1
3	Ball	A351 CF8M	1
4	Stem	A479 316/316L	1
5	Seat	PTFE	2
6	Body seal	PTFE	1
6A	Secondary Body seal	Virgin PEEK	1
7	Stem thrust seal	Virgin PEEK	2
8	Stop pin	A582 303	1
9	Stem packing	TFM Hermetic™	1
10A	Follower	A479 316L	1
10B	Slide bearing	TF3-16	1
11	Disc spring	A693 631 (17-7FH)	2
12	Stem nut	A194 8M, 8M/A	1
13	Locking clip	A164 8, 8A	1
14	Handle	A240 430	1
15	Serrated washer	A194 6	1
16	Handle nut	A194 8M, 8M/A	1
17	Sleeve	Vinyl Plastisol	1
18	Anti static spring	A313 302	1
19	Anti static ball	A479 304	1
20	Tag (not shown)	A167 304	1



DESIGN STANDARD: ASME B16.34
 PRESSURE CLASS: #1.50
 CLEAN ASSY: CGA 4.1
 FDA Approved soft parts
 APPROX. WEIGHT: 8 Kg

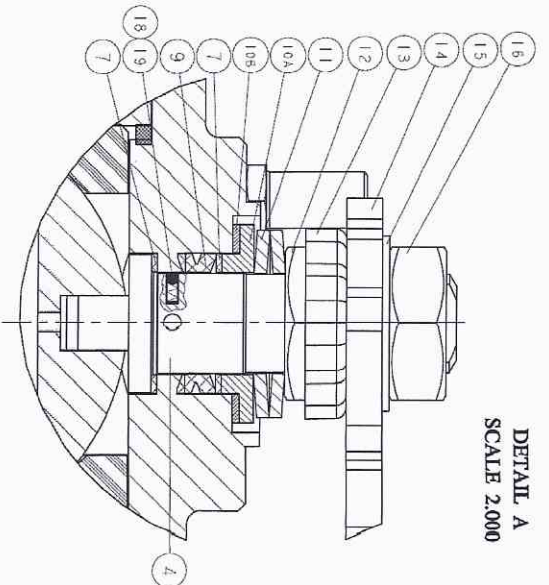
HABONIM Industrial Valves & Actuators		Approvals	
Drawing No.	20-OF31X-6666TT-150-LAX-G-FT	Drawn	Engineering
Comp. No.		Name: MOSSE R	Name:
Sheet 1 OF 1		Sign:	Sign:
Product Name:	2" OF31X SER. VALVE ANSI150 - LAX - G	Date: 13-04-12	Date:
Part No. 20-OF31X-6666TT-150-LAX-G-FT			
Rev.	HA		

DRAWING FOR REFERENCE ONLY. DIMENSIONS MAY BE CHANGED WITHOUT PRIOR NOTICE



DESIGN STANDARD: ASME B16.34
 PRESSURE CLASS: #150
 CLEAN ASSY: CGA 4.1
 FDA Approved soft parts
 APPROX. WEIGHT: 8 Kg

Item	Description	Material Specifications	Qty.
1	Body	A351 CF8M	1
2	Plug	A351 CF8M	1
3	Ball	A351 CF8M	1
4	Stem	A479 316/316L	1
5	Seat	PTFE	2
6	Body seal	PTFE	1
6A	Secondary Body seal	Graphite	1
7	Stem thrust seal	Virgin PEEK	2
8	Stop pin	A582 303	1
9	Stem packing	TFM Hermetic™	1
10A	Follower	A479 316L	1
10B	Slide bearing	TF316	1
11	Disc spring	A693 831 (17-7PH)	2
12	Stem nut	A194 8M, 8M/A	1
13	Locking clip	A164 8, 8A	1
14	Handle	A240 430	1
15	Serrated washer	A194 6	1
16	Handle nut	A194 8M, 8M/A	1
17	Sleeve	Viryl Plastics	1
18	Anti static spring	A313 302	1
19	Anti static ball	A479 304	1
20	Tag (not shown)	A167 304	1



DETAIL A
SCALE 2.000

HABONIM Industrial Valves & Actuators

Drawing No. **20-F31G-FIRE-TEST**

Comp. No. **Sheet 1 OF 1**

Part No. **20-F31G-FIRE-TEST**

Product Name: **2" F31G VALVE FOR FIRE TEST**

DRAWING FOR REFERENCE ONLY. DIMENSIONS MAY BE CHANGED WITHOUT PRIOR NOTICE

Approvals

Drawn: _____

Checked: _____

Signature: _____

Date: _____

Rev. _____