

# HABONIM UPDATE

Improved Extension Handle

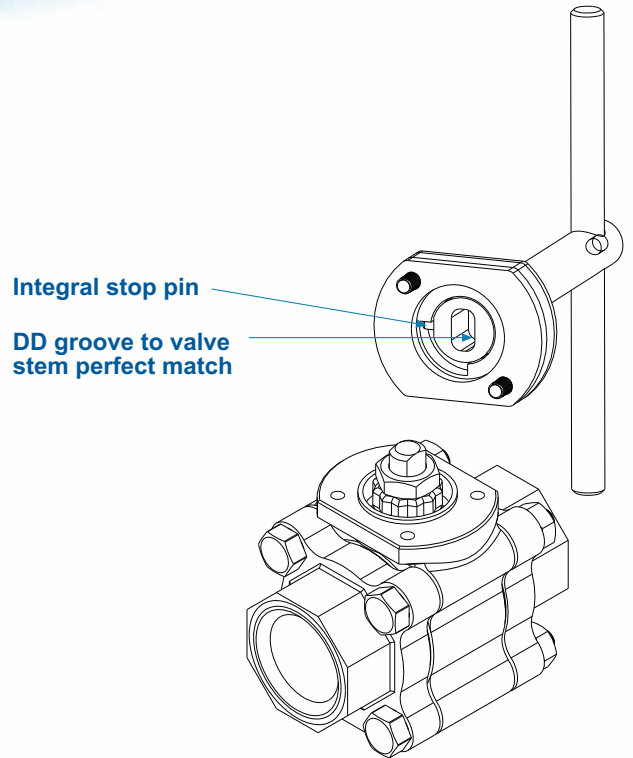
Update 04 / 2.2009

## Habonim is now supplying extension handles with an improved design.

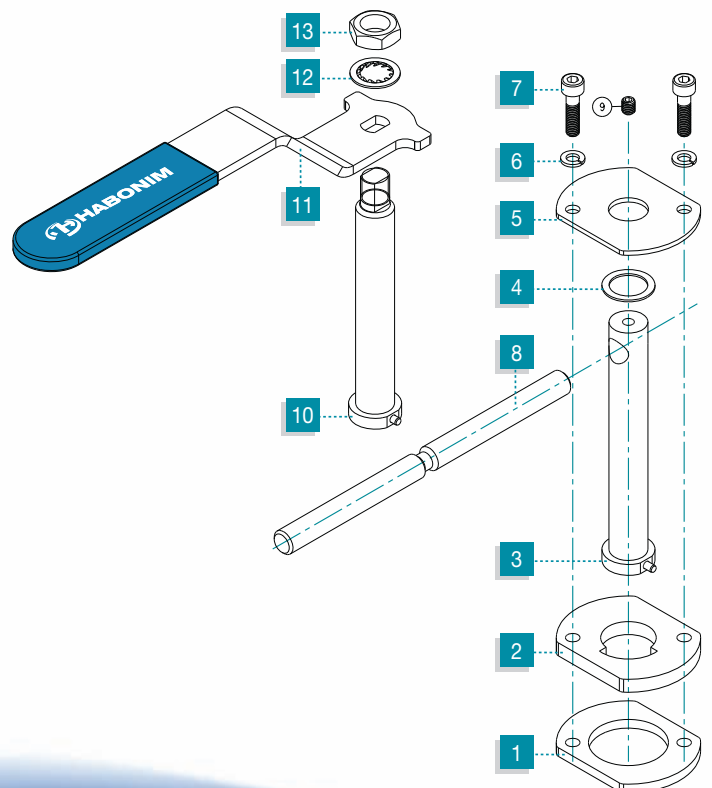
The new design addresses the problem of some extension handles becoming loose over time. Instead of a threaded connection, the new design incorporates a "double-D" groove for a perfect, tight match between the handle and the stem. The stop plate and stop pin of the old extension handle are now an integral part of the new handle design.

Beginning January 2009, all extension handles will incorporate the new design only.

The illustrations depict the simple and reliable design of the improved extension handle in both Standard and T-style configurations.



Part No.	Description	Qty.
1	Bottom plate	1
2	Middle plate	1
3	Extension T-handle	1
4	Extension bearing	1
5	Top plate	1
6	Spring washer	2
7	Plate bolt	2
8	Handle	1
9	Handle screw	1
10	Extension handle	1
11	Handle	1
12	Serrated washer	1
13	Handle nut	1



# HABONIM UPDATE

## Improved Extension Handle

Update 04 / 2.2009

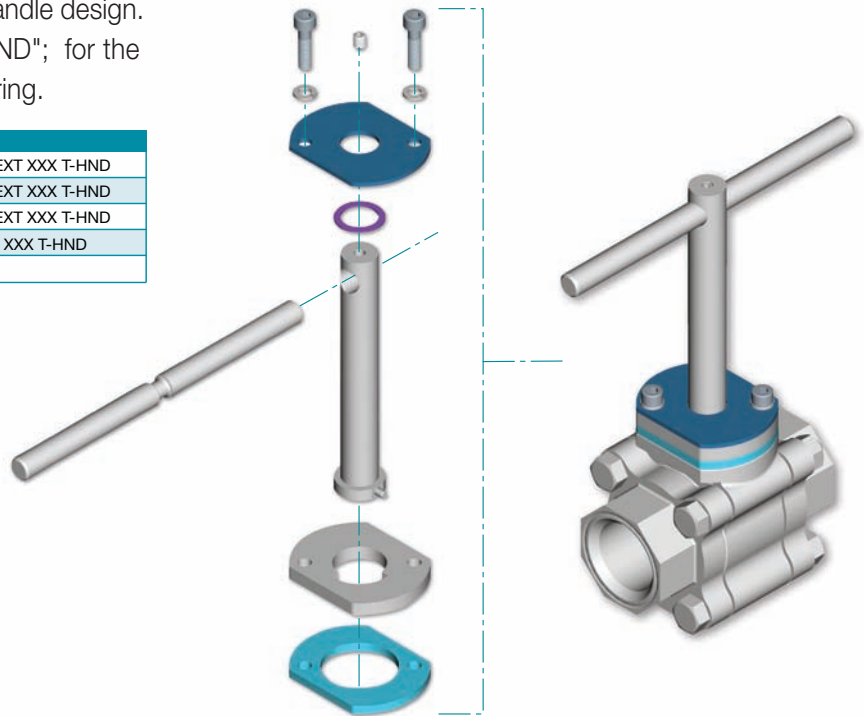
Like before, the new extension handle is available in 50mm (2") and 100mm (4") extensions.

Other lengths are always available upon request.

### How to Order

The additional letter "P" designates the new handle design. For a standard handle with sleeve, specify "HND"; for the T-Style configuration use "T-HND" when ordering.

Valve Size	Standard Handle	T-Style
½"-3/4"	MK47P-05/07-EXT XXX HND	MK47P-05/07-EXT XXX T-HND
1"- 1 ¼"	MK47P-10/12-EXT XXX HND	MK47P-10/12-EXT XXX T-HND
1 ½" – 2"	MK47P-15/20-EXT XXX HND	MK47P-15/20-EXT XXX T-HND
2 ½"	MK47P-25-EXT XXX HND	MK47P-25-EXT XXX T-HND
XXX=	050 or 100 mm height	



Sincerely,

**Ethan Matlaw**  
VP Marketing and Sales

ethan@habonim.com

for additional information, contact:

For Dinah Kagan

Dinah@habonim.com

Tel:+ 972-4-6914733

Or anyone on the Habonim team



DEDICATED TO INNOVATION